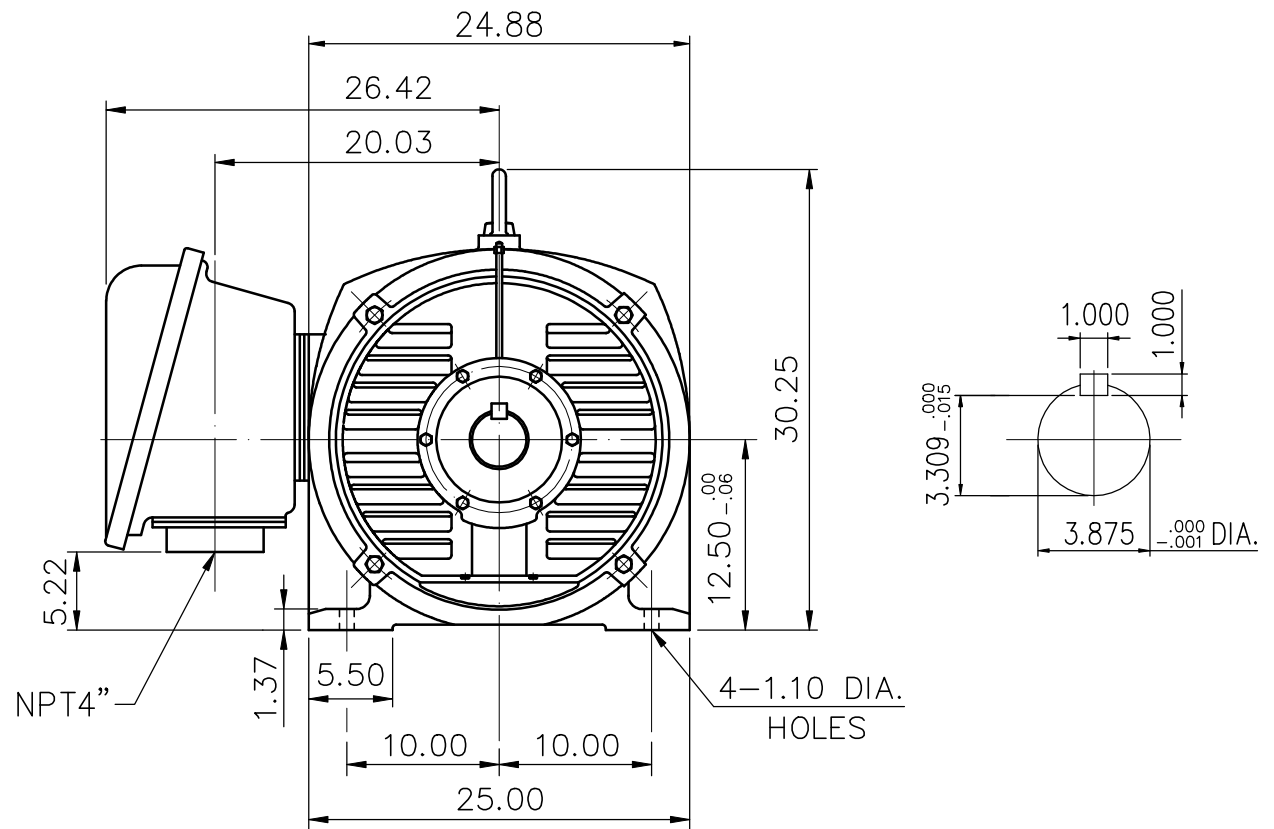
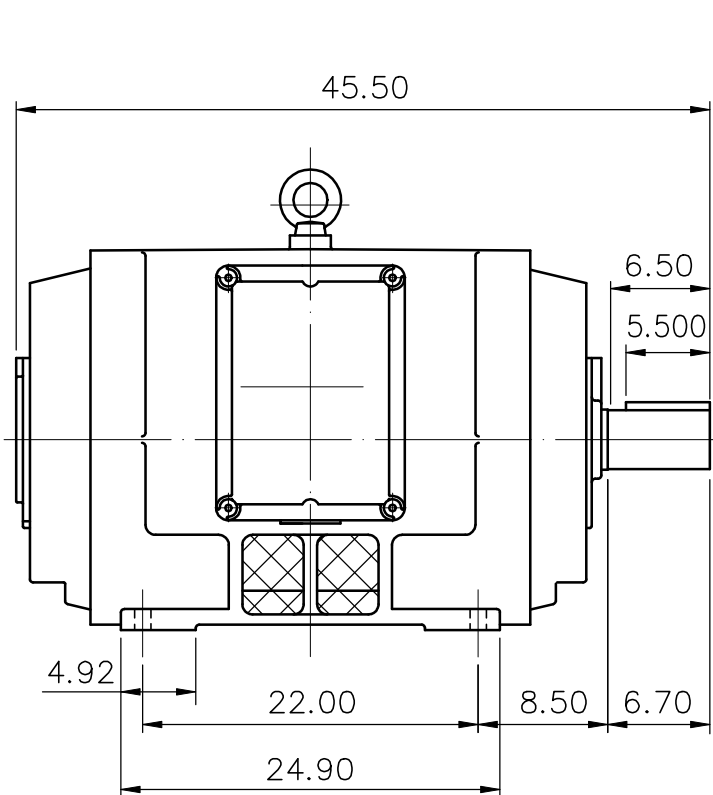


SUPER-MAX ALTERNATING CURRENT MOTORS

SQUIRREL-CAGE INDUCTION

CAST IRON FRAME
FRAME 5007N

ENCLOSURE: OPEN DRIP PROOF
MOUNTING: FOOT



Preliminary Drawing for Reference Only

- (1) DIMENSIONS ARE IN INCHES.
- (2) APPROXIMATE WEIGHT = 3400 LBS
- (3) DRIVE END BEARING 6224
OPPOSITE DRIVE END BEARING 6320

OUTPUT	POLE	SYN. SPEED	VOLT	FREQ.	CERTIFIED BY _____ DATE _____	
					DR. BY	W. D. KUO
					CK. BY	L. J. LEE
					APP. BY	C. L. WANG
					DATE	AUG. 11, 2011

DIMENSION SHEET

AS-003131