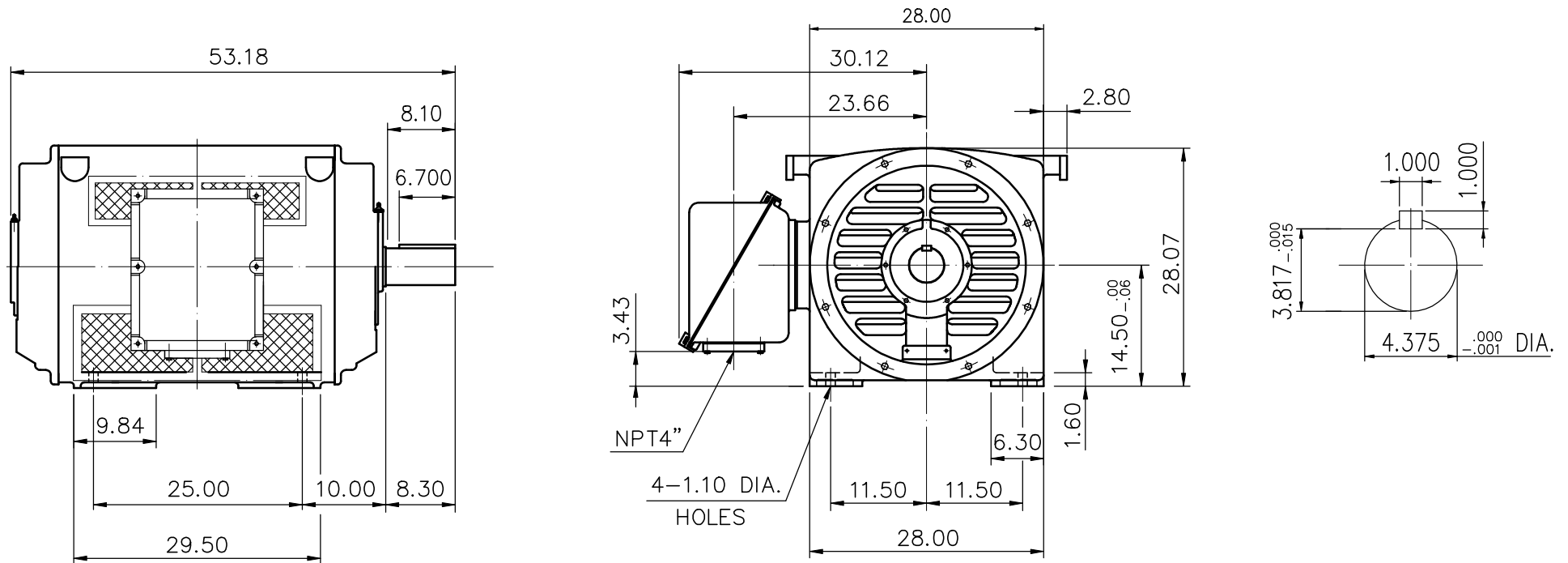


SUPER-MAX ALTERNATING CURRENT MOTORS

SQUIRREL-CAGE INDUCTION


CAST IRON FRAME
FRAME 5807N

ENCLOSURE: OPEN DRIP PROOF
MOUNTING: FOOT



Preliminary Drawing for Reference Only

- (1) DIMENSIONS ARE IN INCHES.
- (2) APPROXIMATE WEIGHT = 3850LBS
- (3) DRIVE END BEARING 6224
OPPOSITE DRIVE END BEARING 6320

OUTPUT	POLE	SYN. SPEED	VOLT	FREQ.	CERTIFIED BY _____ DATE _____	
					DR. BY	W. D. KUD
					CK. BY	L. J. LEE
					APP. BY	C. L. WANG
					DATE	AUG. 11. 2011
DIMENSION SHEET					AS-003132	