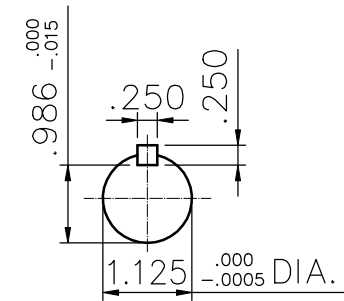
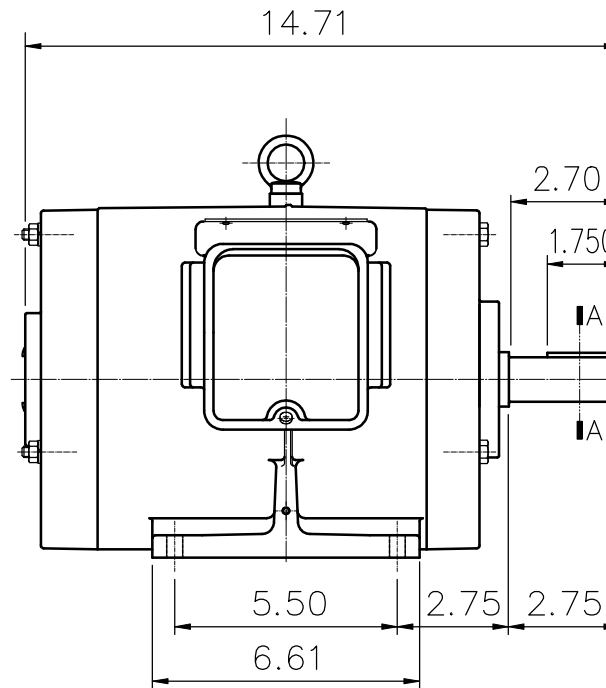
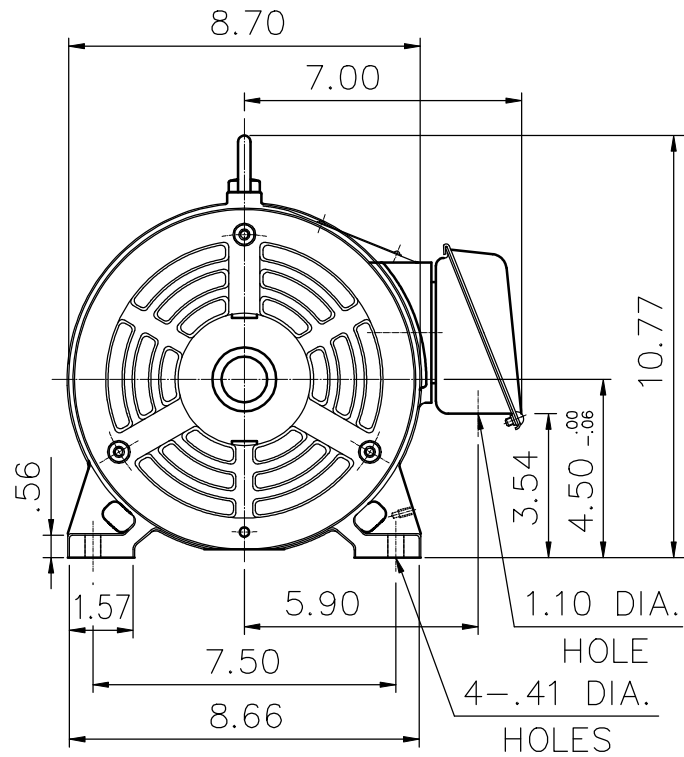


# SUPER-MAX ALTERNATING CURRENT MOTORS

## SQUIRREL-CAGE INDUCTION

ENCLOSURE: OPEN DRIP PROOF  
MOUNTING: FOOT

CAST IRON FRAME  
FRAME 184T



A-A SECTION

- (1) DIMENSIONS ARE IN INCHES.
- (2) APPROXIMATE WEIGHT = 97 LBS
- (3) DRIVE END BEARING 6207ZZ  
OPPOSITE DRIVE END BEARING 6206ZZ
- (4) INTERNAL VOLUME OF CONDUIT BOX=30.2 CU, IN.

**Preliminary Drawing for Reference Only**

OUTPUT	POLE	SYN. SPEED	VOLT	FREQ.	CERTIFIED BY _____	DATE _____
					DIMENSION SHEET <span style="font-size: 1.5em; font-weight: bold;">AS-890463</span>	
DR. BY <u>W. D. KUD</u> CK. BY <u>L. J. LEE</u> APP. BY <u>T. M. LIAD</u> DATE <u>NOV. 27. 2008</u>						