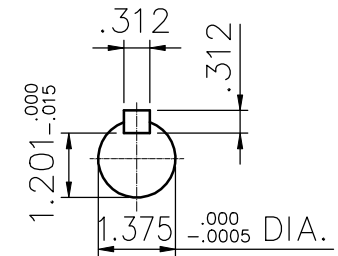
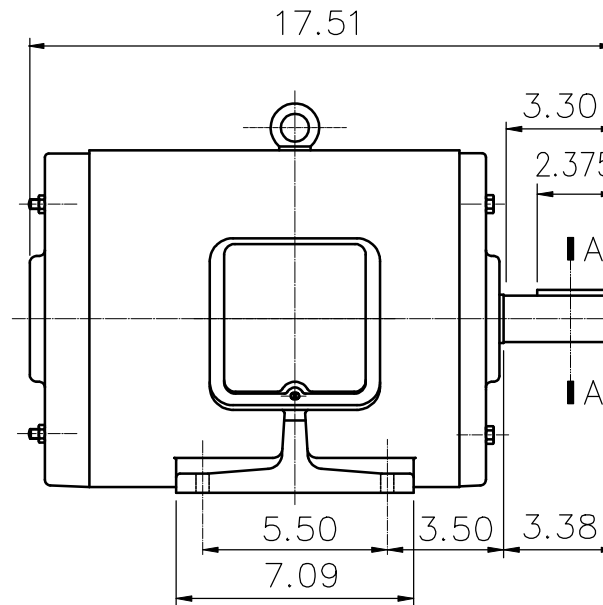
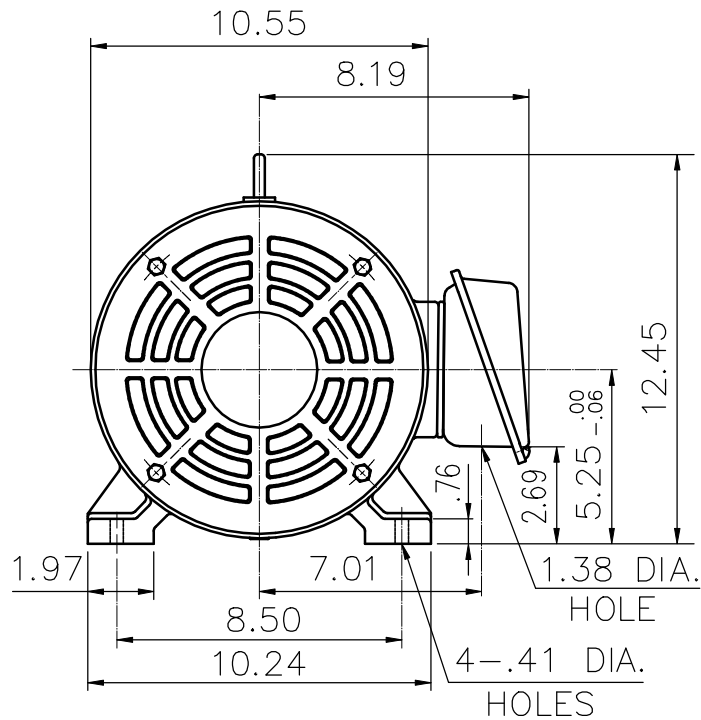


SUPER-MAX ALTERNATING CURRENT MOTORS

SQUIRREL-CAGE INDUCTION

ENCLOSURE: OPEN DRIP-PROOF
MOUNTING: FOOT

CAST IRON FRAME
FRAME 213T



A-A SECTION

- (1) DIMENSIONS ARE IN INCHES
- (2) APPROXIMATE WEIGHT = 140 LBS.
- (3) DRIVE END BEARING 6308ZZ
OPPOSITE DRIVE END BEARING 6208ZZ
- (4) INTERNAL VOLUME OF CONDUIT BOX=50.3 CU. IN.

Preliminary Drawing for Reference Only

OUTPUT	POLE	SYN. SPEED	VOLT	FREQ.	CERTIFIED BY _____	DATE _____
					DR. BY <u>W. D. KUD</u> CK. BY <u>L. J. LEE</u> APP. BY <u>T. M. LIAD</u> DATE <u>NOV. 27. 2008</u>	
					DIMENSION SHEET	AS-890464