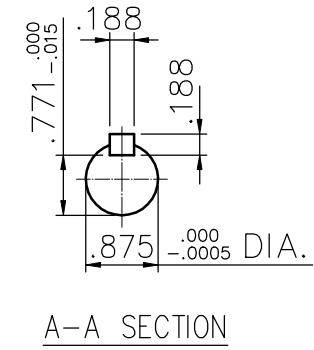
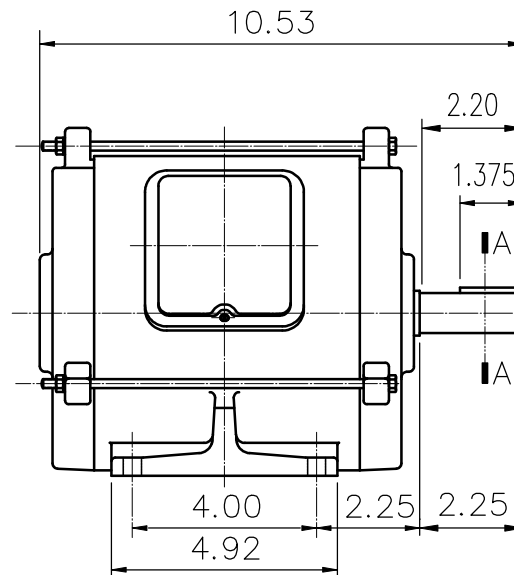
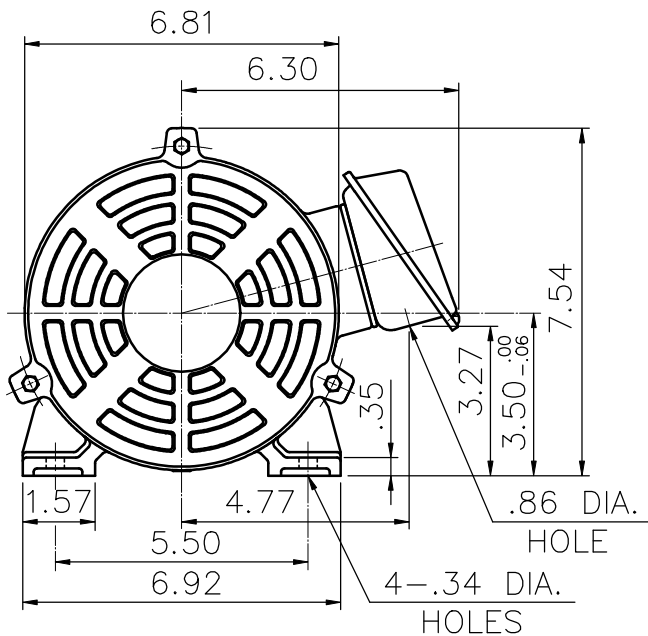


SUPER-MAX ALTERNATING CURRENT MOTORS

SQUIRREL-CAGE INDUCTION

ENCLOSURE: OPEN DRIP-PROOF
MOUNTING: FOOT

CAST IRON FRAME
FRAME 143T



- (1) DIMENSIONS ARE IN INCHES
- (2) APPROXIMATE WEIGHT = 43 LBS
- (3) DRIVE END BEARING 6205ZZ
OPPOSITE DRIVE END BEARING 6205ZZ
- (4) INTERNAL VOLUME OF CONDUIT BOX=30.2 Cu. IN.

Preliminary Drawing for Reference Only

OUTPUT	POLE	SYN. SPEED	VOLT	FREQ.	CERTIFIED BY _____ DATE _____
					DIMENSION SHEET
<small>DR. BY W. D. KUO CK. BY L. J. LEE APP. BY T. M. LIAD DATE NOV. 27. 2008</small>					