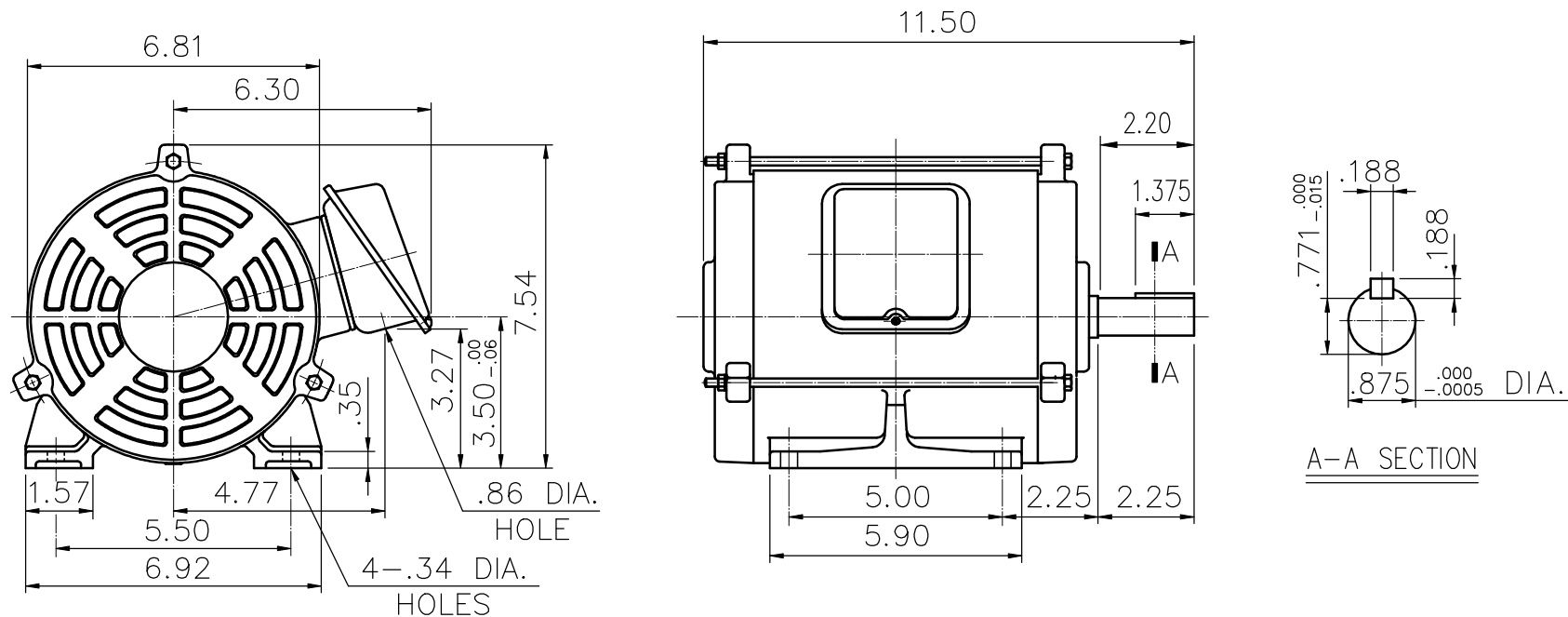


SUPER-MAX ALTERNATING CURRENT MOTORS

SQUIRREL-CAGE INDUCTION

ENCLOSURE: OPEN DRIP-PROOF
MOUNTING: FOOT

CAST IRON FRAME
FRAME 145T



- (1) DIMENSIONS ARE IN INCHES
- (2) APPROXIMATE WEIGHT = 55 LBS.
- (3) DRIVE END BEARING 6205ZZ
OPPOSITE DRIVE END BEARING 6205ZZ
- (4) INTERNAL VOLUME OF CONDUIT BOX=30.2 Cu. IN.

Preliminary Drawing for Reference Only

OUTPUT	POLE	SYN. SPEED	VOLT	FREQ.	CERTIFIED BY _____ DATE _____	
					DR. BY <u>W. D. KUO</u>	<h3 style="margin: 0;">DIMENSION SHEET</h3> <h1 style="margin: 0;">AS-890467</h1>
					CK. BY <u>L. J. LEE</u>	
					APP. BY <u>T. M. LIAD</u>	
					DATE <u>NOV. 27. 2008</u>	