

SUPER-MAX ALTERNATING CURRENT MOTORS

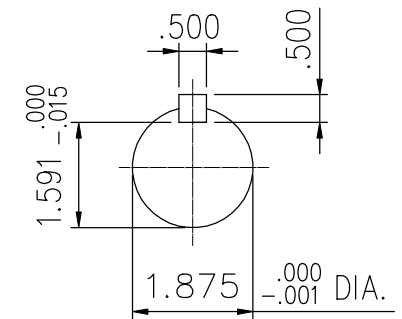
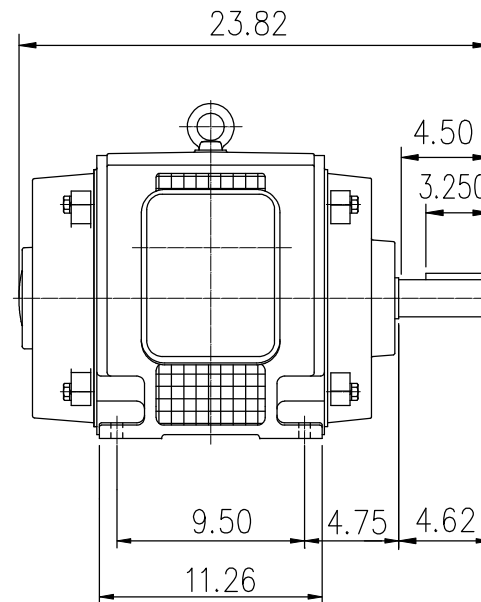
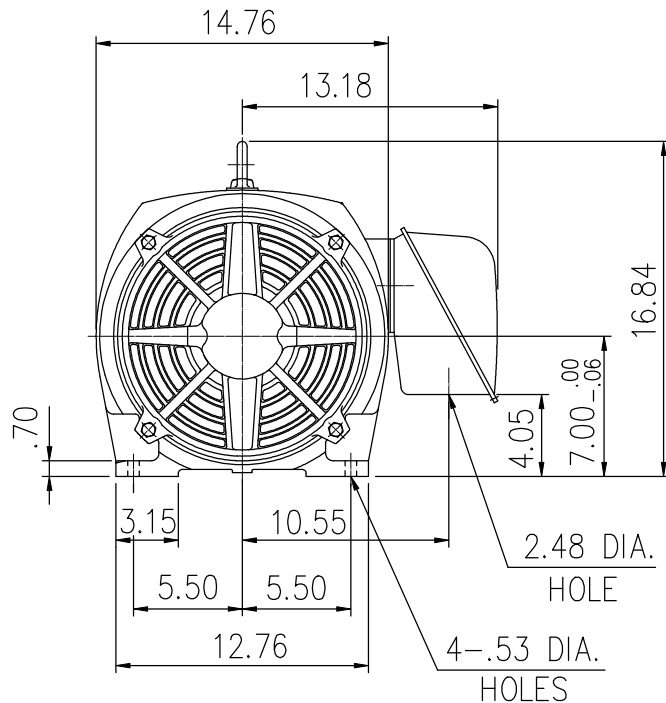
SQUIRREL-CAGE INDUCTION

CAST-IRON FRAME

ENCLOSURE: OPEN DRIP PROOF


MOUNTING: FOOT

FRAME 284T



- (1) DIMENSIONS ARE IN INCHES.
- (2) APPROXIMATE WEIGHT = 380 LBS.
- (3) DRIVE END BEARING 6312ZZ
OPPOSITE DRIVE END BEARING 6310ZZ
- (4) INTERNAL VOLUME OF CONDUIT BOX = 253 CU. IN.

Preliminary Drawing for Reference Only

OUTPUT	POLE	SYN. SPEED	VOLT	FREQ.	CERTIFIED BY _____ DATE _____	
					DR. BY <u>W. D. KUD</u> CK. BY <u>L. J. LEE</u> APP. BY <u>T. M. LIAD</u> DATE <u>NOV. 27, 2008</u>	
					DIMENSION SHEET	