

# SUPER-MAX ALTERNATING CURRENT MOTORS

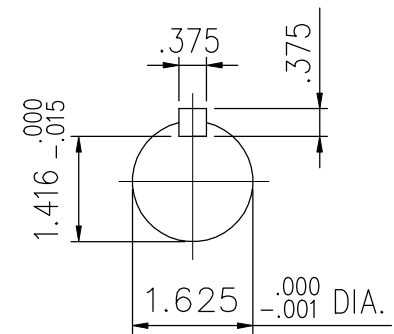
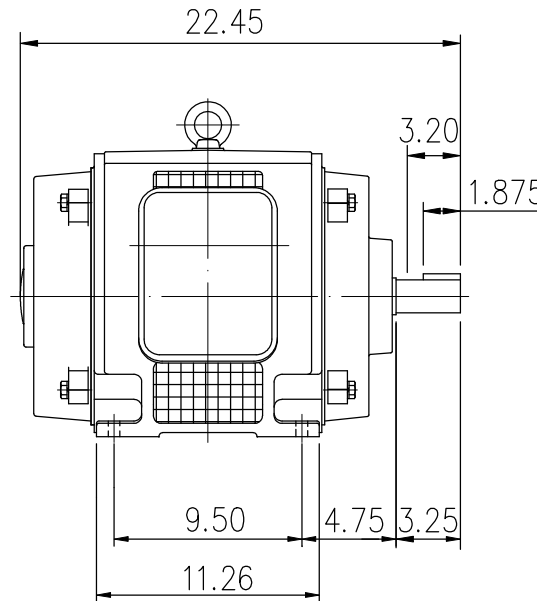
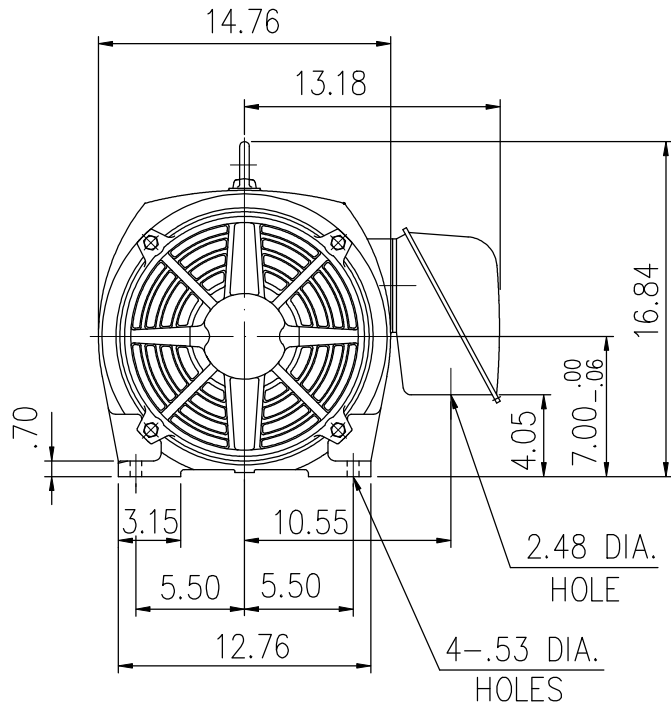
SQUIRREL-CAGE INDUCTION

CAST-IRON FRAME

ENCLOSURE: OPEN DRIP PROOF

MOUNTING: FOOT

FRAME 284TS



Preliminary Drawing for Reference Only

- < 1> DIMENSIONS ARE IN INCHES.
- < 2> APPROXIMATE WEIGHT = 374 LBS.
- < 3> DRIVE END BEARING 6312ZZC3  
OPPOSITE DRIVE END BEARING 6310ZZC3
- < 4> INTERNAL VOLUME OF CONDUIT BOX=253 CU, IN.

OUTPUT	POLE	SYN. SPEED	VOLT	FREQ.	CERTIFIED BY _____	DATE _____
					DR. BY W. D. KUD	<b>DIMENSION SHEET</b> <b>AS-893154</b>
					CK. BY L. J. LEE	
					APP. BY T. M. LIAD	
					DATE NOV. 27. 2008	