

SUPER-MAX ALTERNATING CURRENT MOTORS

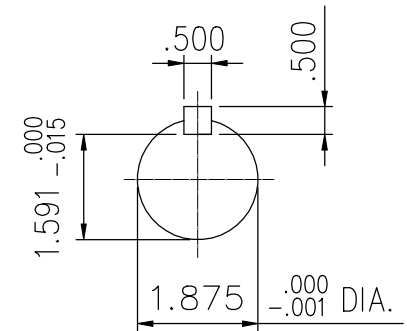
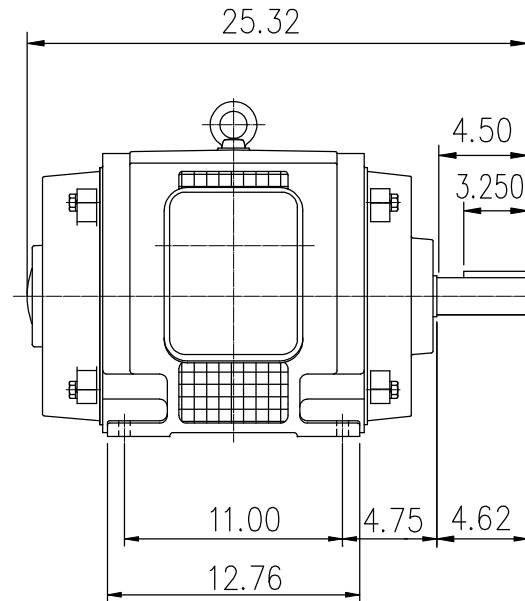
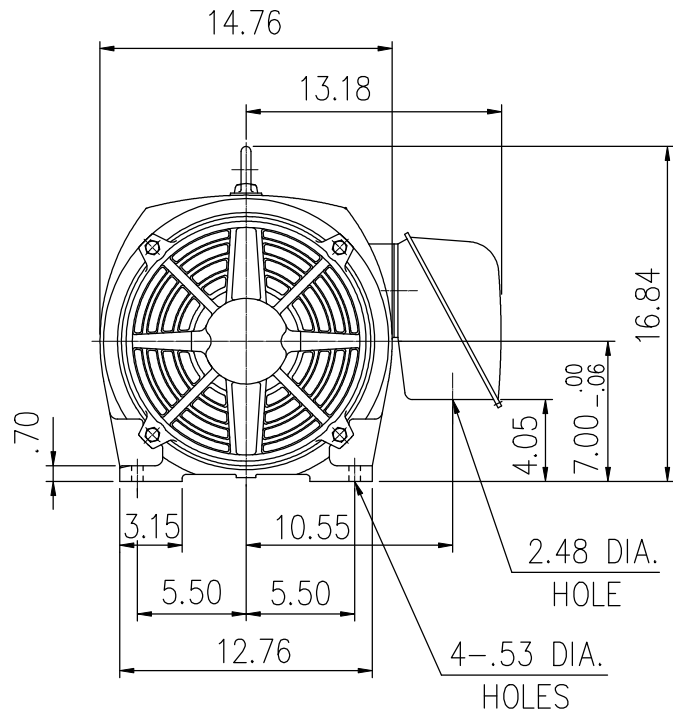
SQUIRREL-CAGE INDUCTION

CAST-IRON FRAME

ENCLOSURE: OPEN DRIP PROOF


MOUNTING: FOOT

FRAME 286T



- (1) DIMENSIONS ARE IN INCHES.
- (2) APPROXIMATE WEIGHT = 446 LBS.
- (3) DRIVE END BEARING 6312ZZ
OPPOSITE DRIVE END BEARING 6310ZZ
- (4) INTERNAL VOLUME OF CONDUIT BOX = 253 CU. IN.

Preliminary Drawing for Reference Only

OUTPUT	POLE	SYN. SPEED	VOLT	FREQ.	CERTIFIED BY _____ DATE _____	
					DIMENSION SHEET	
<small>DR. BY W. D. KUD CK. BY L. J. LEE APP. BY T. M. LIAO DATE NOV. 27. 2008</small>						