

# SUPER-MAX ALTERNATING CURRENT MOTORS

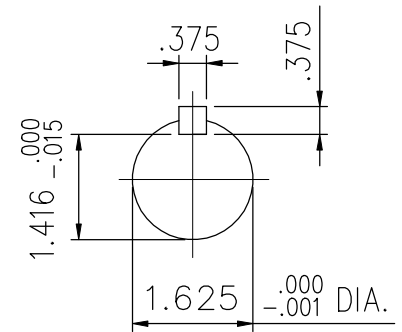
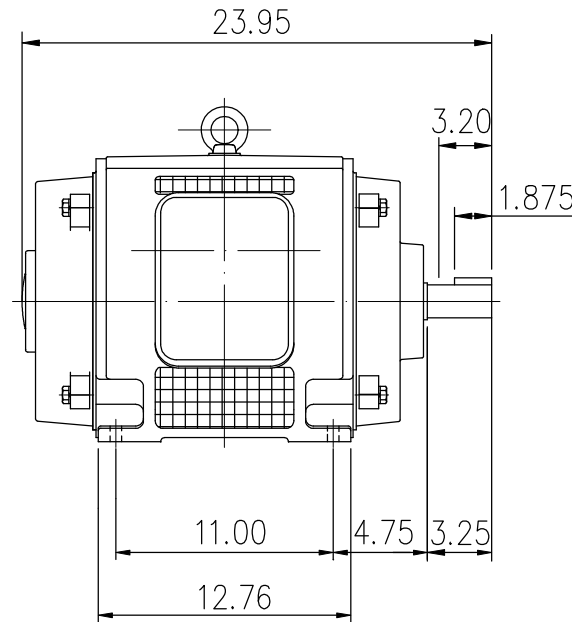
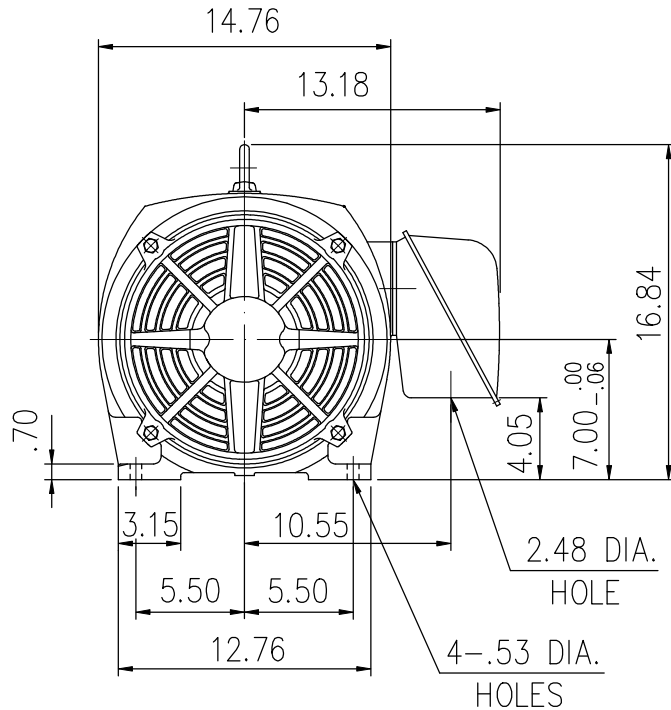
SQUIRREL-CAGE INDUCTION

CAST-IRON FRAME

ENCLOSURE: OPEN DRIP PROOF

MOUNTING: FOOT

FRAME 286TS



- < 1> DIMENSIONS ARE IN INCHES.
- < 2> APPROXIMATE WEIGHT = 435 LBS.
- < 3> DRIVE END BEARING 6312ZZC3  
OPPOSITE DRIVE END BEARING 6310ZZC3
- < 4> INTERNAL VOLUME OF CONDUIT BOX = 253 CU, IN.

Preliminary Drawing for Reference Only

OUTPUT	POLE	SYN. SPEED	VOLT	FREQ.	CERTIFIED BY _____ DATE _____	
					DR. BY <u>W. D. KUO</u> CK. BY <u>L. J. LEE</u> APP. BY <u>T. M. LIAD</u> DATE <u>NOV. 27, 2008</u>	
					<b>DIMENSION SHEET</b>	