

# SUPER-MAX ALTERNATING CURRENT MOTORS

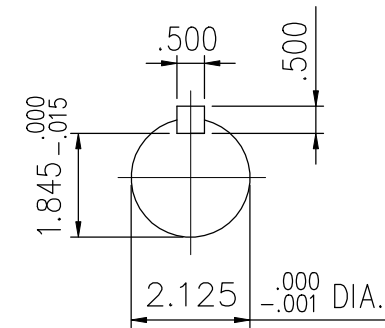
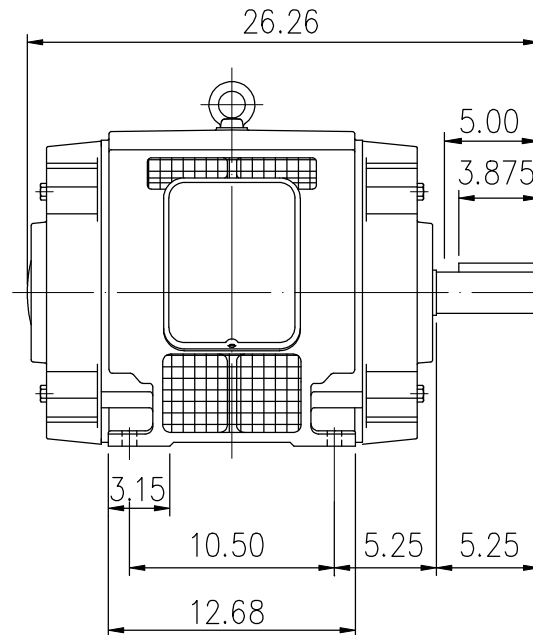
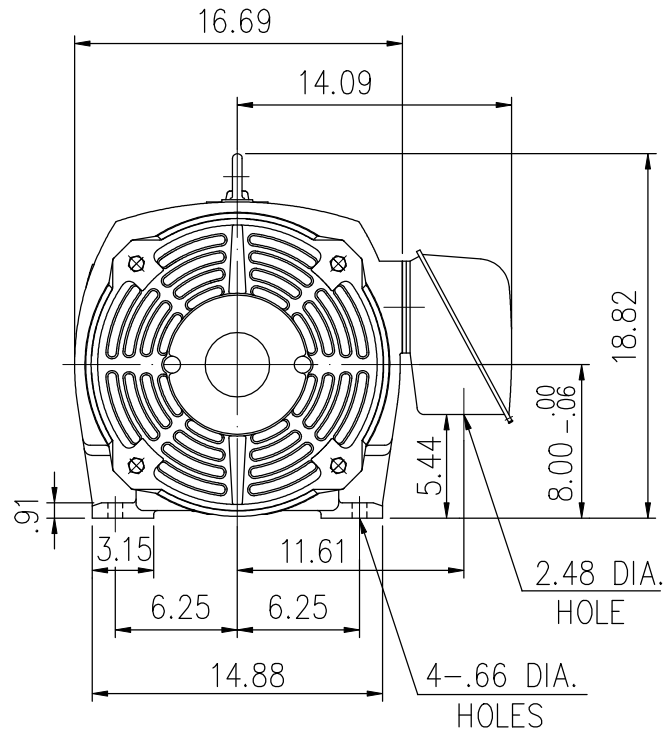
SQUIRREL-CAGE INDUCTION

CAST-IRON FRAME

ENCLOSURE: OPEN DRIP PROOF

MOUNTING: FOOT

FRAME 324T



Preliminary Drawing for Reference Only

- < 1> DIMENSIONS ARE IN INCHES.
- < 2> APPROXIMATE WEIGHT = 583 LBS.
- < 3> DRIVE END BEARING 6312  
OPPOSITE DRIVE END BEARING 6312
- < 4> INTERNAL VOLUME OF CONDUIT BOX = 253 CU. IN.

OUTPUT	POLE	SYN. SPEED	VOLT	FREQ.	CERTIFIED BY _____ DATE _____	
				DR. BY W. D. KUD		
				CK. BY L. J. LEE		
		APP. BY T. M. LIAD		DIMENSION SHEET AS-893158		
		DATE NOV. 27, 2008				