

SUPER-MAX ALTERNATING CURRENT MOTORS

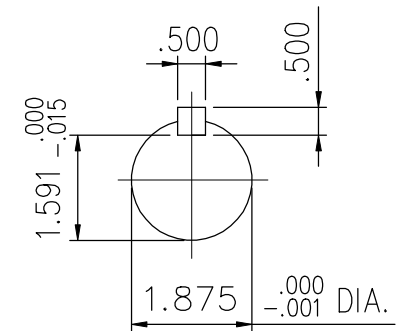
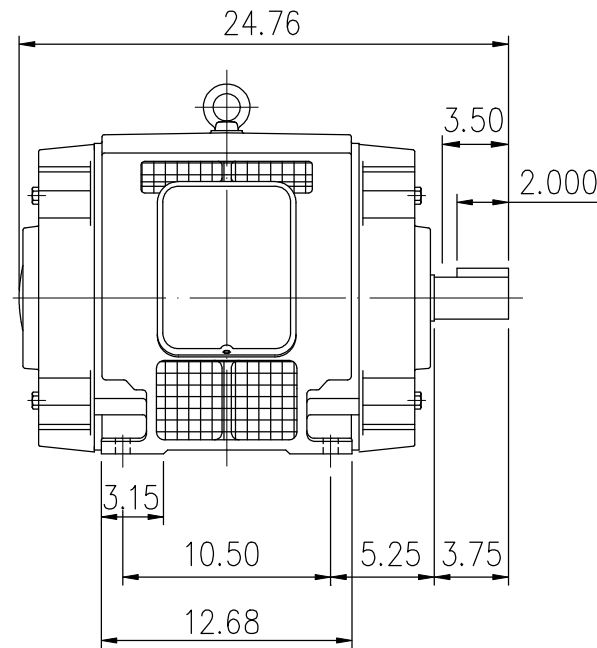
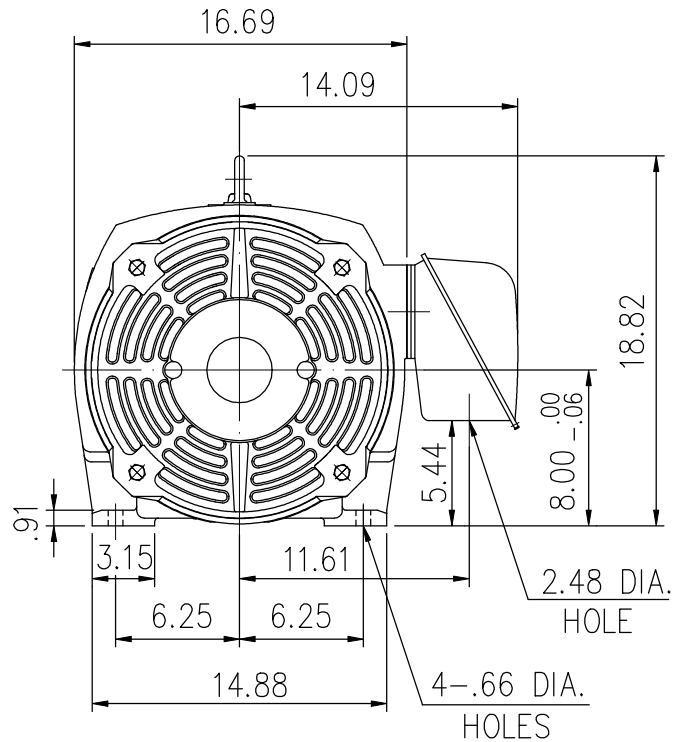
SQUIRREL-CAGE INDUCTION

CAST-IRON FRAME

ENCLOSURE: OPEN DRIP PROOF

MOUNTING: FOOT

FRAME 324TS



- < 1 > DIMENSIONS ARE IN INCHES.
- < 2 > APPROXIMATE WEIGHT = 575 LBS.
- < 3 > DRIVE END BEARING 6312C3
OPPOSITE DRIVE END BEARING 6312C3
- < 4 > INTERNAL VOLUME OF CONDUIT BOX = 253 CU, IN.

Preliminary Drawing for Reference Only

OUTPUT	POLE	SYN. SPEED	VOLT	FREQ.	CERTIFIED BY _____ DATE _____	
					DR. BY	W. D. KUD
					CK. BY	L. J. LEE
					APP. BY	T. M. LIAD
					DATE	NOV. 27. 2008
					DIMENSION SHEET	AS-893159