

SUPER-MAX ALTERNATING CURRENT MOTORS

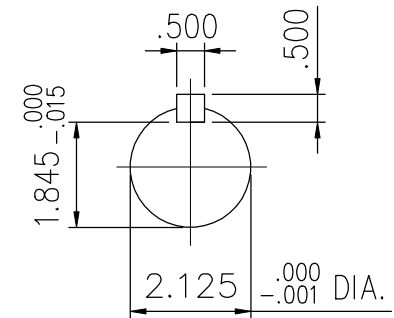
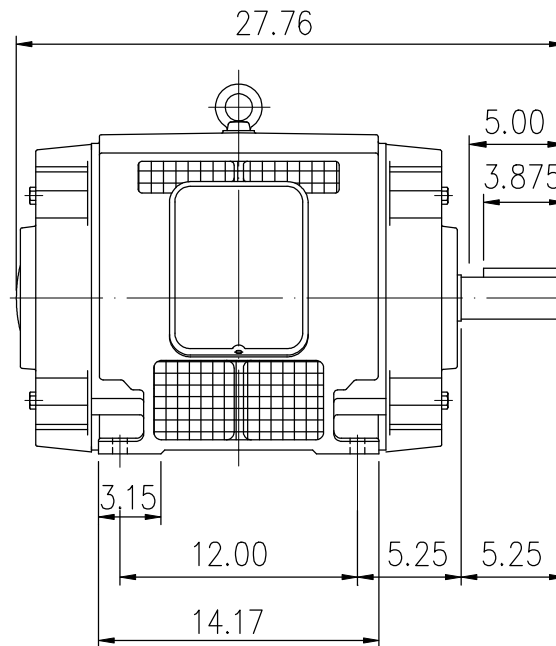
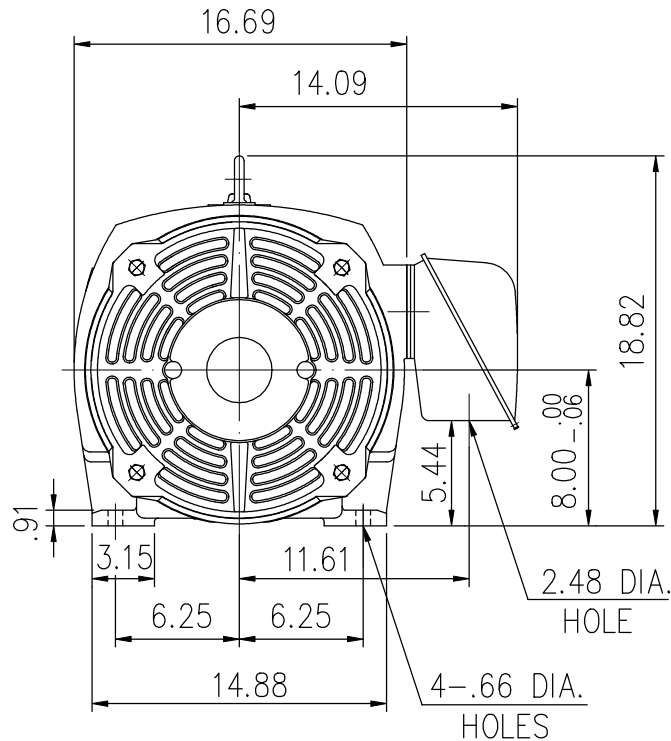
SQUIRREL-CAGE INDUCTION

CAST-IRON FRAME

ENCLOSURE: OPEN DRIP PROOF

MOUNTING: FOOT

FRAME 326T



- (1) DIMENSIONS ARE IN INCHES.
- (2) APPROXIMATE WEIGHT = 666 LBS.
- (3) DRIVE END BEARING 6312
OPPOSITE DRIVE END BEARING 6312
- (4) INTERNAL VOLUME OF CONDUIT BOX = 253 CU. IN.

Preliminary Drawing for Reference Only

OUTPUT	POLE	SYN. SPEED	VOLT	FREQ.	CERTIFIED BY _____ DATE _____	
					DR. BY W. D. KUD CK. BY L. J. LEE APP. BY T. M. LIAD DATE NOV. 27. 2008	
					DIMENSION SHEET	