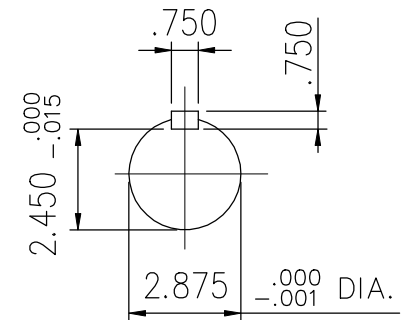
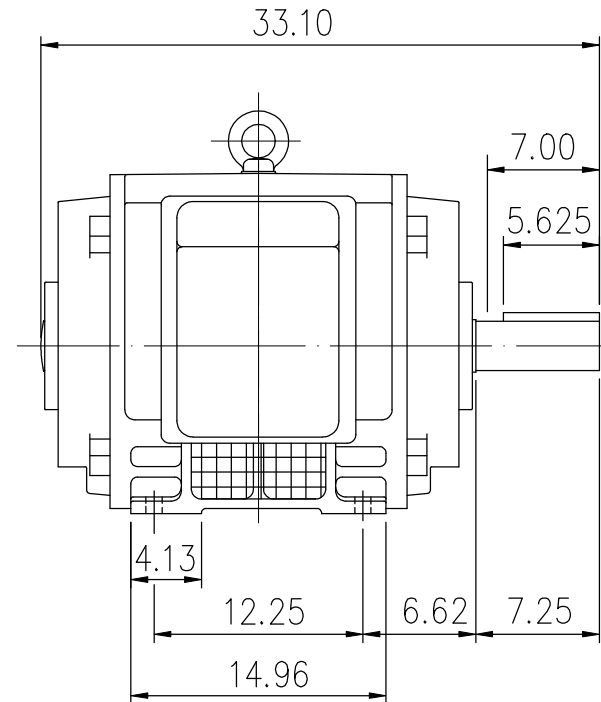
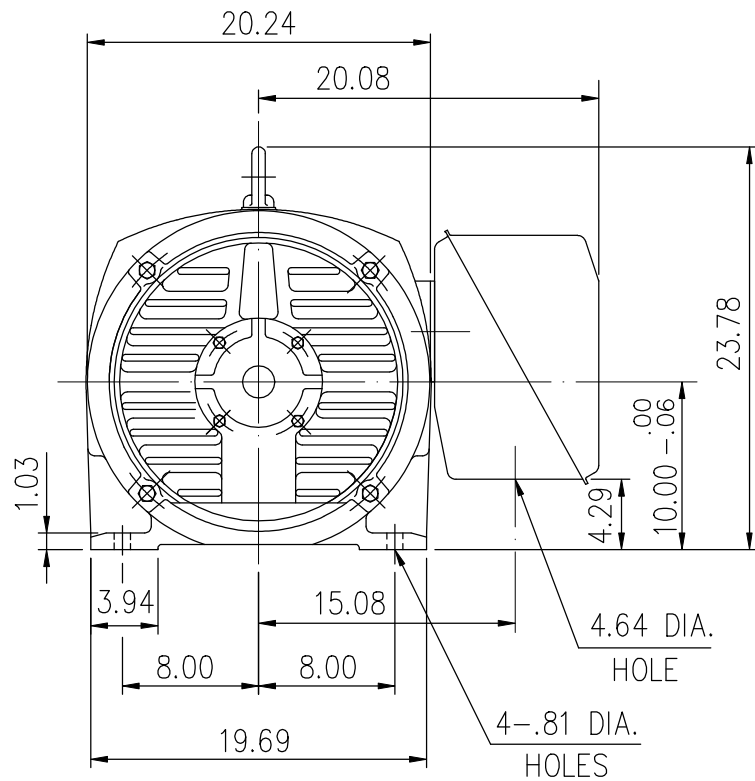


SUPER-MAX ALTERNATING CURRENT MOTORS

SQUIRREL-CAGE INDUCTION

ENCLOSURE: OPEN DRIP PROOF
MOUNTING: FOOT

CAST IRON FRAME
FRAME 404T



Preliminary Drawing for Reference Only

- (1) DIMENSIONS ARE IN INCHES.
- (2) APPROXIMATE WEIGHT = 1090 LBS.
- (3) DRIVE END BEARING 6317
OPPOSITE DRIVE END BEARING 6313
- (4) INTERNAL VOLUME OF CONDUIT BOX=1185 CU, IN.

OUTPUT	POLE	SYN. SPEED	VOLT	FREQ.	CERTIFIED BY _____	DATE _____
TATUNG					DR. BY <u>W. D. KUD</u>	DIMENSION SHEET AS-893166
					CK. BY <u>L. J. LEE</u>	
					APP. BY <u>T. M. LIAD</u>	
					DATE <u>NOV. 27, 2008</u>	