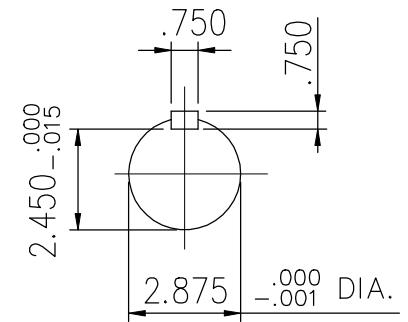
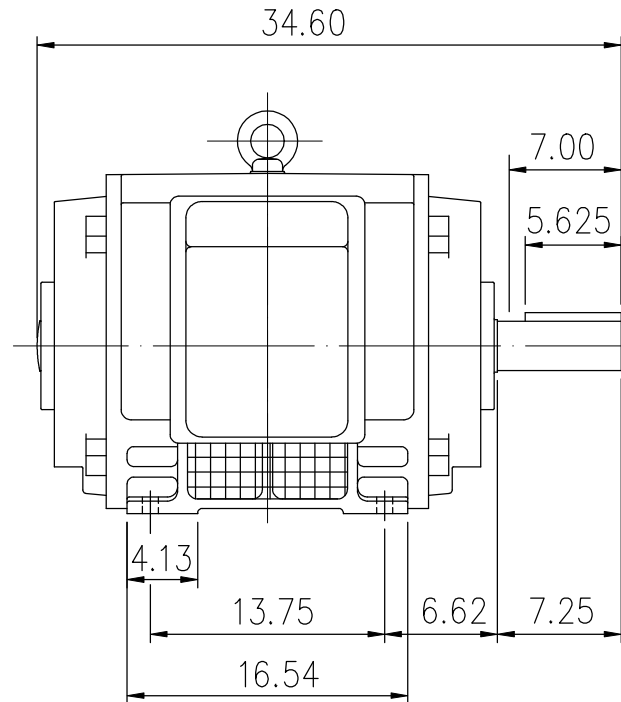
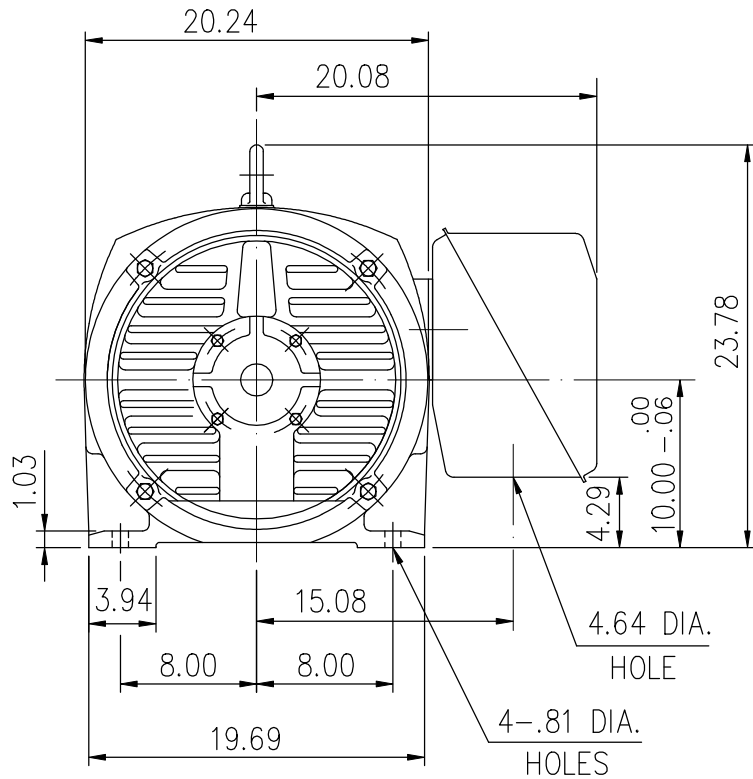


SUPER-MAX ALTERNATING CURRENT MOTORS

SQUIRREL-CAGE INDUCTION

ENCLOSURE: OPEN DRIP PROOF
MOUNTING: FOOT

CAST IRON FRAME
FRAME 405T



- (1) DIMENSIONS ARE IN INCHES.
- (2) APPROXIMATE WEIGHT = 1172 LBS.
- (3) DRIVE END BEARING 6317
OPPOSITE DRIVE END BEARING 6313
- (4) INTERNAL VOLUME OF CONDUIT BOX=1185 CU, IN.

Preliminary Drawing for Reference Only

OUTPUT	POLE	SYN. SPEED	VOLT	FREQ.	CERTIFIED BY _____ DATE _____	
					DR. BY	W. D. KUD
					CK. BY	L. J. LEE
DIMENSION SHEET					APP. BY	T. M. LIAD
					DATE	NOV. 27, 2008
					AS-893168	