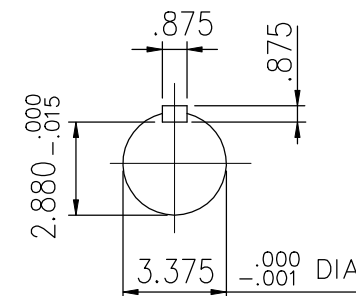
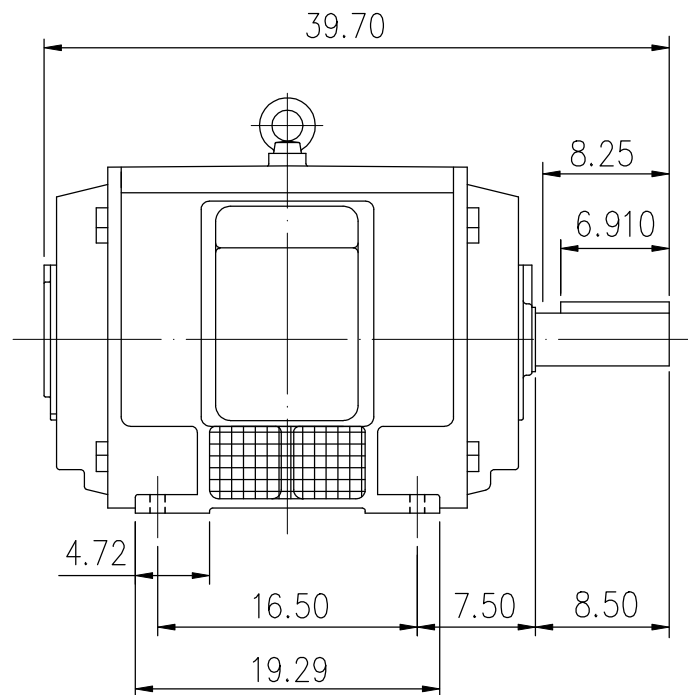
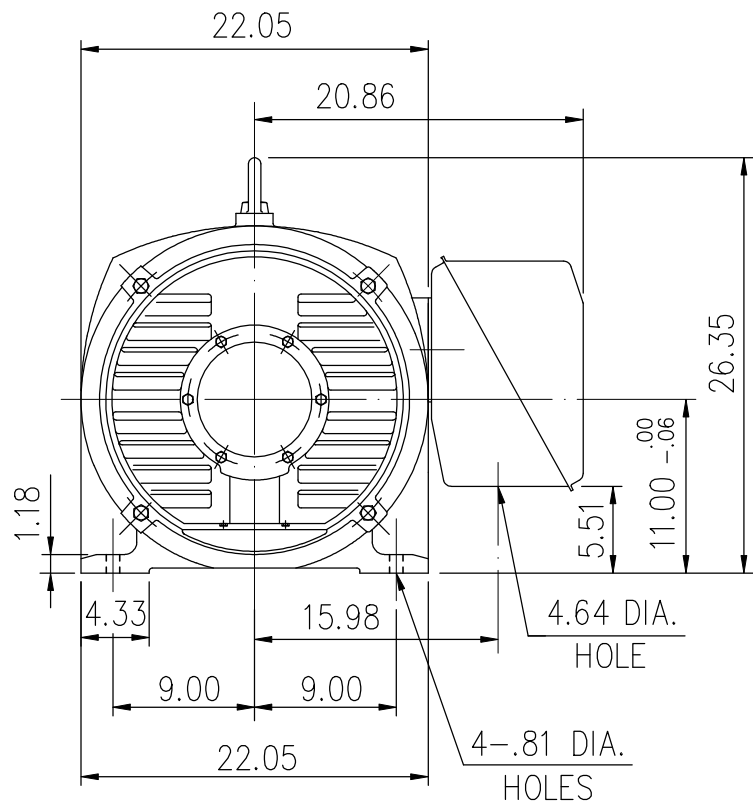


SUPER-MAX ALTERNATING CURRENT MOTORS

SQUIRREL-CAGE INDUCTION

ENCLOSURE: OPEN DRIP PROOF
MOUNTING: FOOT

CAST IRON FRAME
FRAME 445T



- (1) DIMENSIONS ARE IN INCHES.
- (2) APPROXIMATE WEIGHT = 1758 LBS
- (3) DRIVE END BEARING 6318
OPPOSITE DRIVE END BEARING 6318
- (4) INTERNAL VOLUME OF CONDUIT BOX=1185 CU, IN.

Preliminary Drawing for Reference Only

OUTPUT	POLE	SYN. SPEED	VOLT	FREQ.	CERTIFIED BY _____ DATE _____	
					DR. BY <u>W. D. KUD</u> CK. BY <u>L. J. LEE</u> APP. BY <u>T. M. LIAD</u> DATE <u>NOV. 27. 2008</u>	
					DIMENSION SHEET	