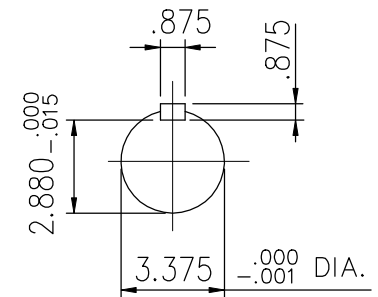
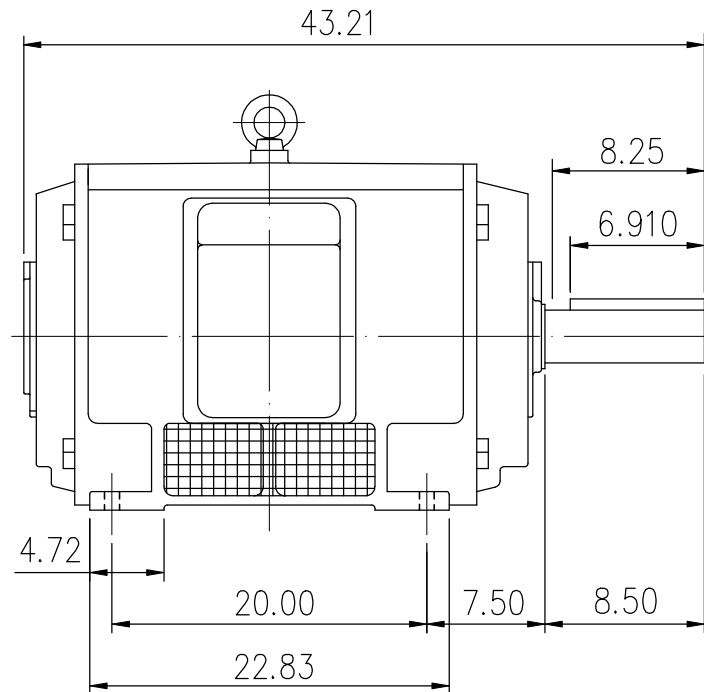
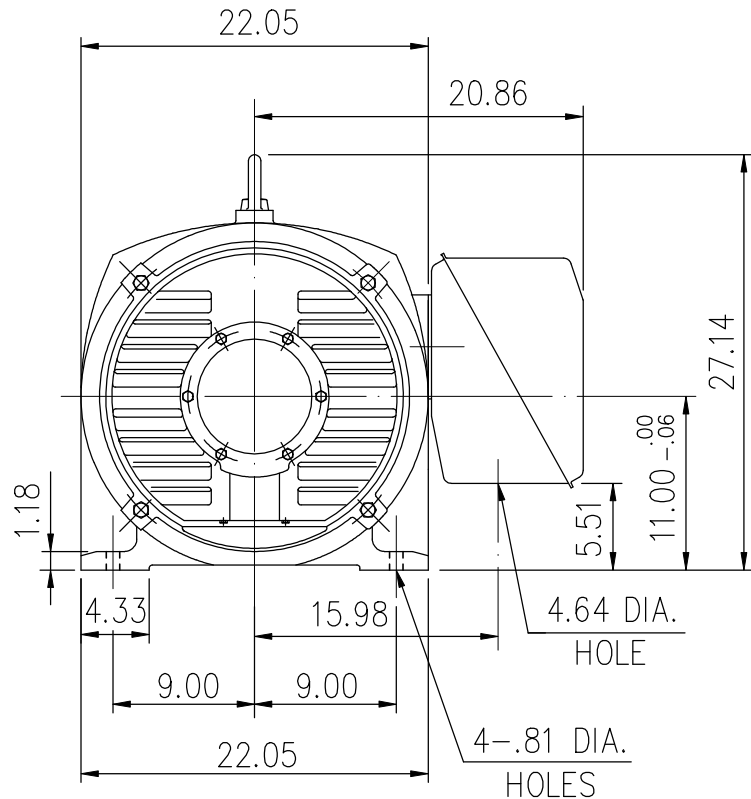


SUPER-MAX ALTERNATING CURRENT MOTORS

SQUIRREL-CAGE INDUCTION


ENCLOSURE: OPEN DRIP PROOF
MOUNTING: FOOT

CAST IRON FRAME
FRAME 447T



Preliminary Drawing for Reference Only

- (1) DIMENSIONS ARE IN INCHES.
- (2) APPROXIMATE WEIGHT = 2100 LBS
- (3) DRIVE END BEARING 6318
OPPOSITE DRIVE END BEARING 6318
- (4) INTERNAL VOLUME OF CONDUIT BOX=1185 CU, IN.

OUTPUT	POLE	SYN. SPEED	VOLT	FREQ.	CERTIFIED BY _____ DATE _____	
					DIMENSION SHEET	
<small>DR. BY W. D. KUD CK. BY L. J. LEE APP. BY T. M. LIAD DATE NOV. 27. 2008</small>						