

# SUPER-MAX ALTERNATING CURRENT MOTORS

SQUIRREL-CAGE INDUCTION

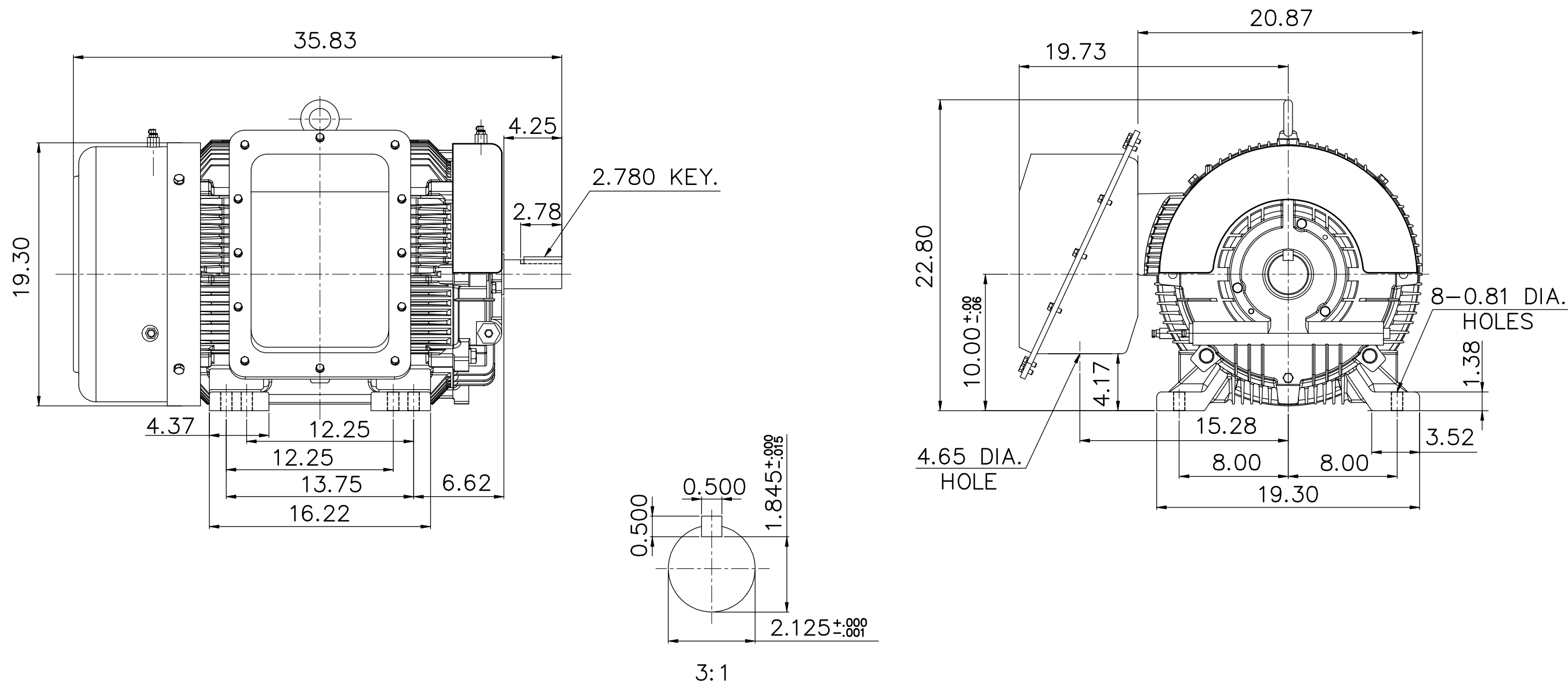
ENCLOSURE: TOTALLY ENCLOSED

MOUNTING: FOOT

CAST IRON FRAME

FRAME 404TS/405TS

COOLING: FAN COOLED



- (1) DIMENSIONS ARE IN INCHES.
- (2) APPROXIMATE WEIGHT = 100 HP, 2P, 1170LBS
- (3) DRIVE END BEARING 6313Z/C3  
OPPOSITE DRIVE END BEARING 6313Z/C3
- (4) INTERNAL VOLUME OF CONDUIT BOX = 1185 CU , IN.

FRAME- \_\_\_\_\_ CERTIFIED FOR- \_\_\_\_\_  
ORDER- \_\_\_\_\_ ITEM \_\_\_\_\_ HP- \_\_\_\_\_ RPM- \_\_\_\_\_ PH- \_\_\_\_\_ HZ- \_\_\_\_\_ VOLTS- \_\_\_\_\_



DR. BY S. L. TSAI  
CK. BY S. C. CHOU  
APP. BY L. J. LEE  
DATE 2024/02/01

DIMENSION  
SHEET

AS-052634