

# SUPER-MAX ALTERNATING CURRENT MOTORS

SQUIRREL-CAGE INDUCTION

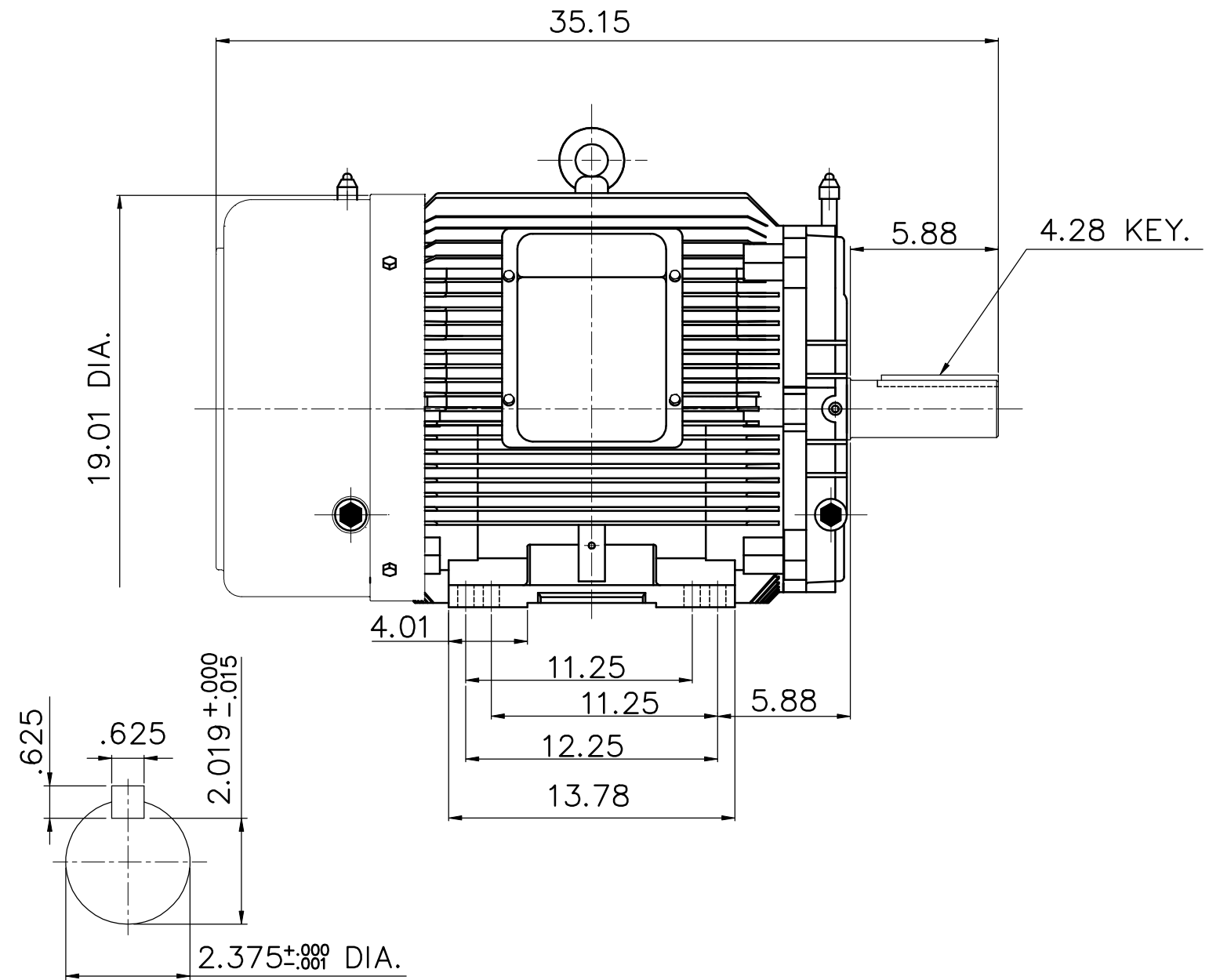
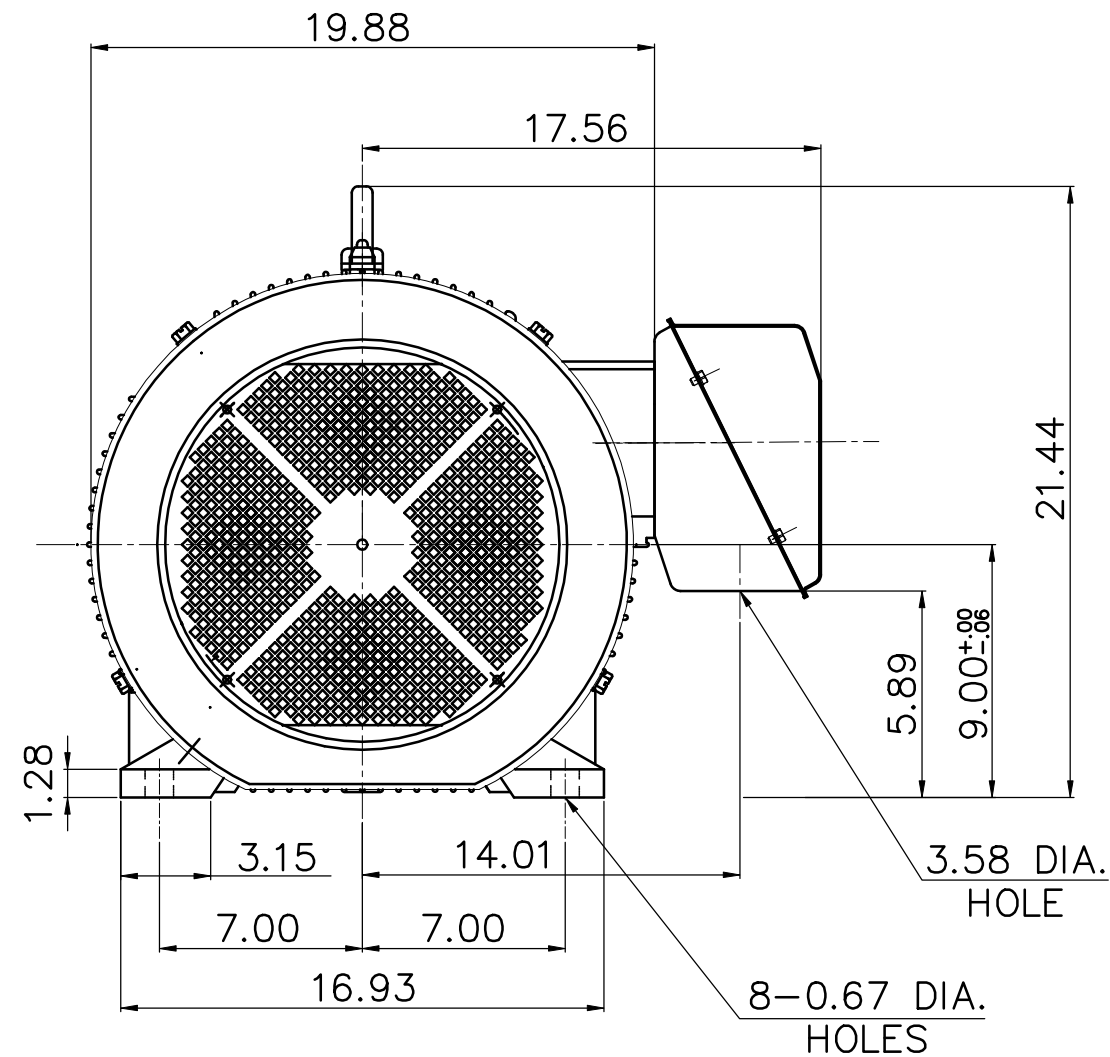
ENCLOSURE: TOTALLY ENCLOSED

MOUNTING: FOOT

CAST IRON FRAME

FRAME 364T/365T

COOLING: FAN COOLED



(1) DIMENSIONS ARE IN INCHES.

(2) APPROXIMATE WEIGHT :

40 HP, 6P, 704LBS      60 HP, 4P, 797LBS

50 HP, 6P, 738LBS      75 HP, 4P, 836LBS

(3) DRIVE END BEARING 6314Z/C3

OPPOSITE DRIVE END BEARING 6314Z/C3

(4) INTERNAL VOLUME OF CONDUIT BOX= 619 CU , IN.

FRAME- \_\_\_\_\_ CERTIFIED FOR- \_\_\_\_\_  
 ORDER- \_\_\_\_\_ ITEM \_\_\_\_\_ HP- \_\_\_\_\_ RPM- \_\_\_\_\_ PH- \_\_\_\_\_ HZ- \_\_\_\_\_ VOLTS- \_\_\_\_\_



DR. BY C. W. CHOU  
 CK. BY L. J. LEE  
 APP. BY L. J. LEE  
 DATE 2016/08/09

DIMENSION  
 SHEET

AS-052636