

# SUPER-MAX ALTERNATING CURRENT MOTORS

SQUIRREL-CAGE INDUCTION

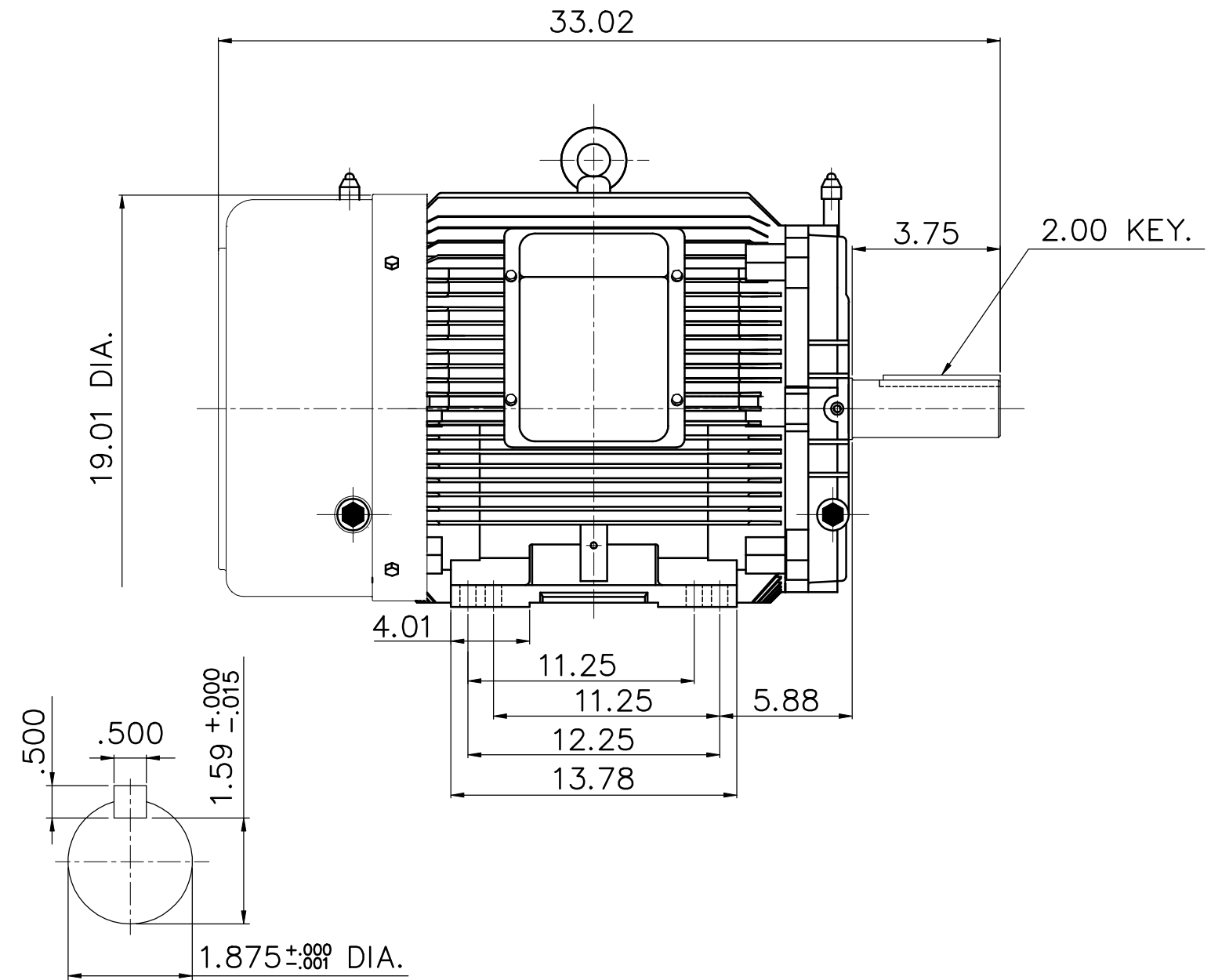
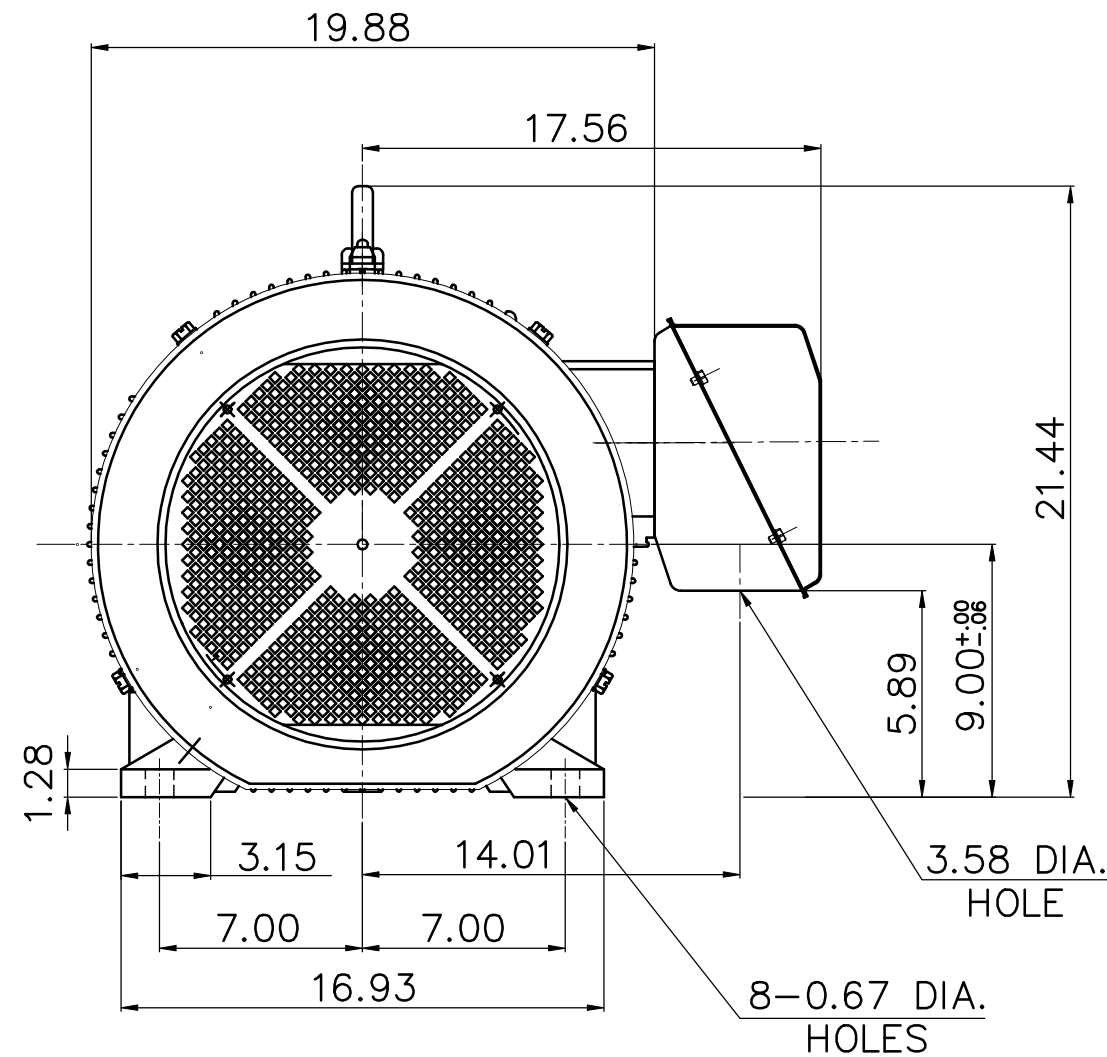
ENCLOSURE: TOTALLY ENCLOSED

MOUNTING: FOOT

CAST IRON FRAME

FRAME 364TS/365TS

COOLING: FAN COOLED



(1) DIMENSIONS ARE IN INCHES.

(2) APPROXIMATE WEIGHT :

60 HP, 2P, 783LBS

75 HP, 2P, 823LBS

(3) DRIVE END BEARING 6312Z/C3

OPPOSITE DRIVE END BEARING 6312Z/C3

(4) INTERNAL VOLUME OF CONDUIT BOX= 619 CU , IN.

FRAME- \_\_\_\_\_ CERTIFIED FOR- \_\_\_\_\_  
 ORDER- \_\_\_\_\_ ITEM \_\_\_\_\_ HP- \_\_\_\_\_ RPM- \_\_\_\_\_ PH- \_\_\_\_\_ HZ- \_\_\_\_\_ VOLTS- \_\_\_\_\_



DR. BY S. L. TSAI  
 CK. BY S. C. CHOU  
 APP. BY L. J. LEE  
 DATE 2024/02/01

DIMENSION  
 SHEET

AS-052637