

SUPER-MAX ALTERNATING CURRENT MOTORS

ENCLOSURE : TOTALLY ENCLOSED

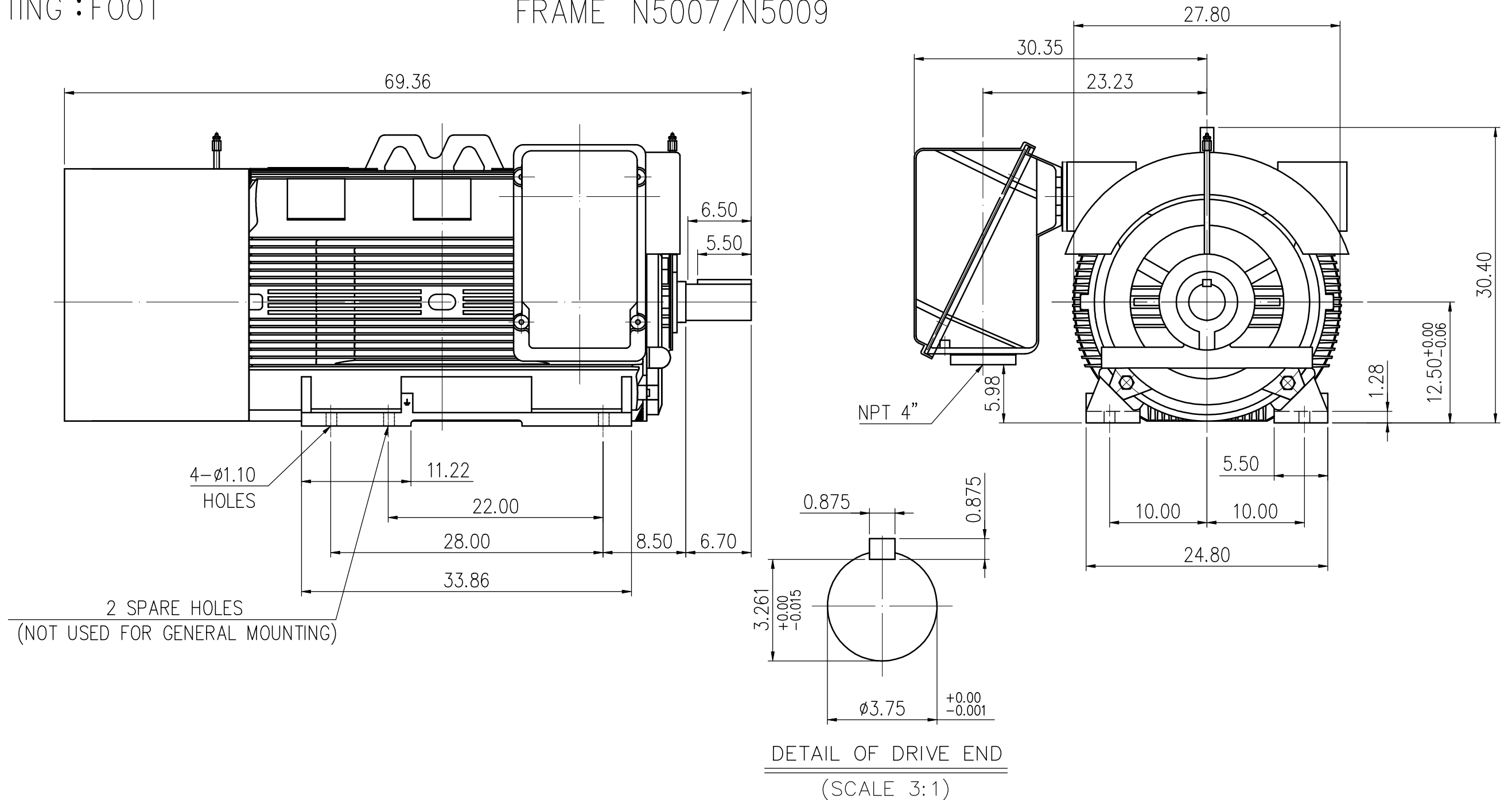
SQUIRREL-CAGE INDUCTION

COOLING : FAN COOLED

CAST IRON FRAME

MOUNTING : FOOT

FRAME N5007/N5009



(1) DIMENSIONS ARE IN inch.

(2) APPROXIMATE WEIGHT : 300HP,6P,4170 LBS

(3) DRIVE END BEARING : 6222

OPPOSITE DRIVE END BEARING : 6222

FRAME- _____ CERTIFIED FOR- _____

ORDER- _____ ITEM _____ HP- _____ RPM- _____ PH- _____ HZ- _____ VOLTS- _____



DR. BY L.F.LIN
 CK. BY C.P.SU
 APP. BY T.M.LIAO
 DATE 2016/12/07

DIMENSION
SHEET

AS-054131