

# SUPER-MAX ALTERNATING CURRENT MOTORS

ENCLOSURE : TOTALLY ENCLOSED

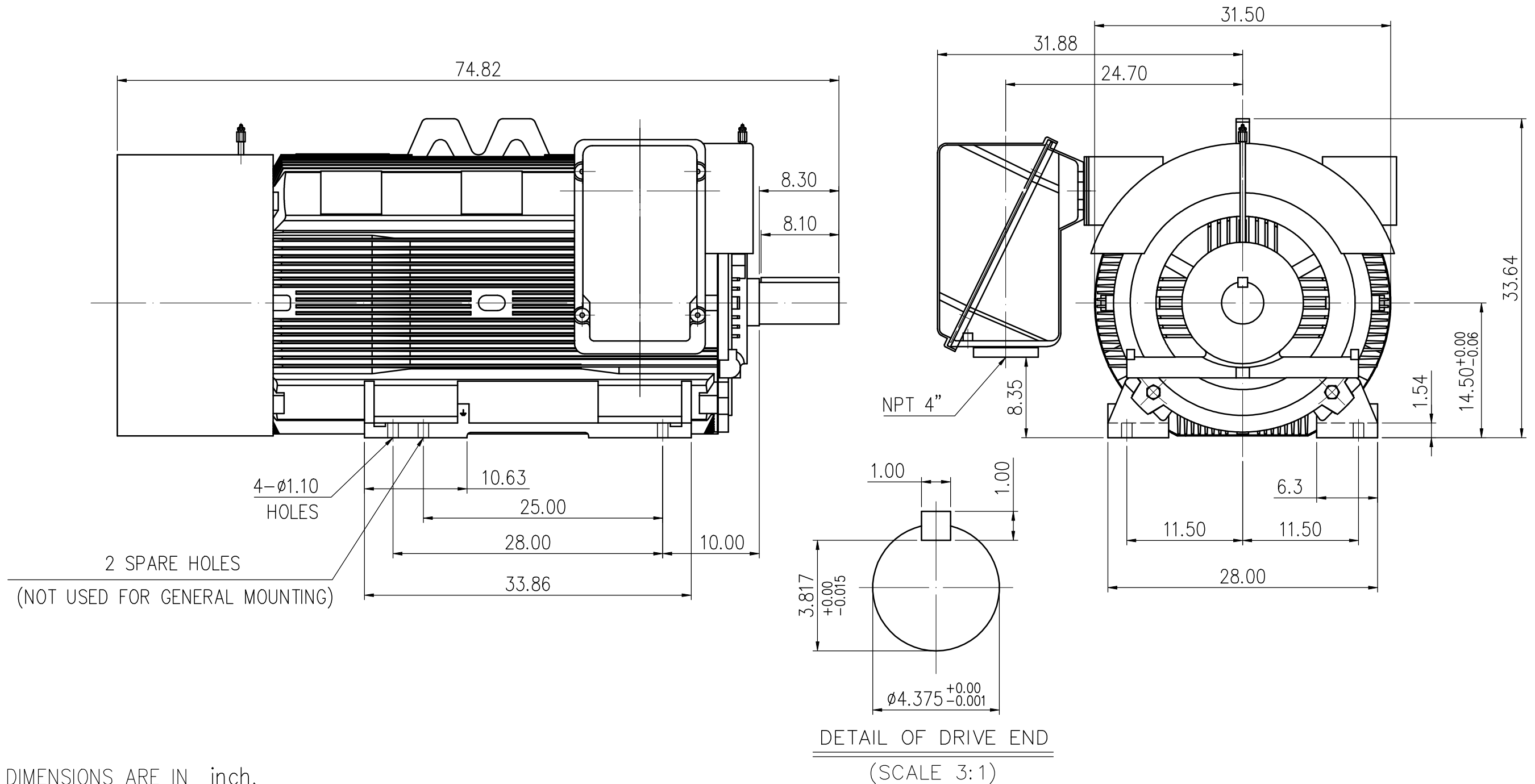
SQUIRREL-CAGE INDUCTION

COOLING : FAN COOLED

CAST IRON FRAME

MOUNTING : FOOT

FRAME N5807/N5808



(1) DIMENSIONS ARE IN inch.

(2) APPROXIMATE WEIGHT : 5320 lbs

(3) DRIVE END BEARING : 6224/C3

OPPOSITE DRIVE END BEARING : 6224/C3

FRAME- \_\_\_\_\_ CERTIFIED FOR- \_\_\_\_\_

ORDER- \_\_\_\_\_ ITEM \_\_\_\_\_ HP- \_\_\_\_\_ RPM- \_\_\_\_\_ PH- \_\_\_\_\_ HZ- \_\_\_\_\_ VOLTS- \_\_\_\_\_



DR. BY L.F.LIN  
 CK. BY C.P.SU  
 APP. BY T.M.LIAO  
 DATE 2016/12/07

DIMENSION  
SHEET

AS-054133