

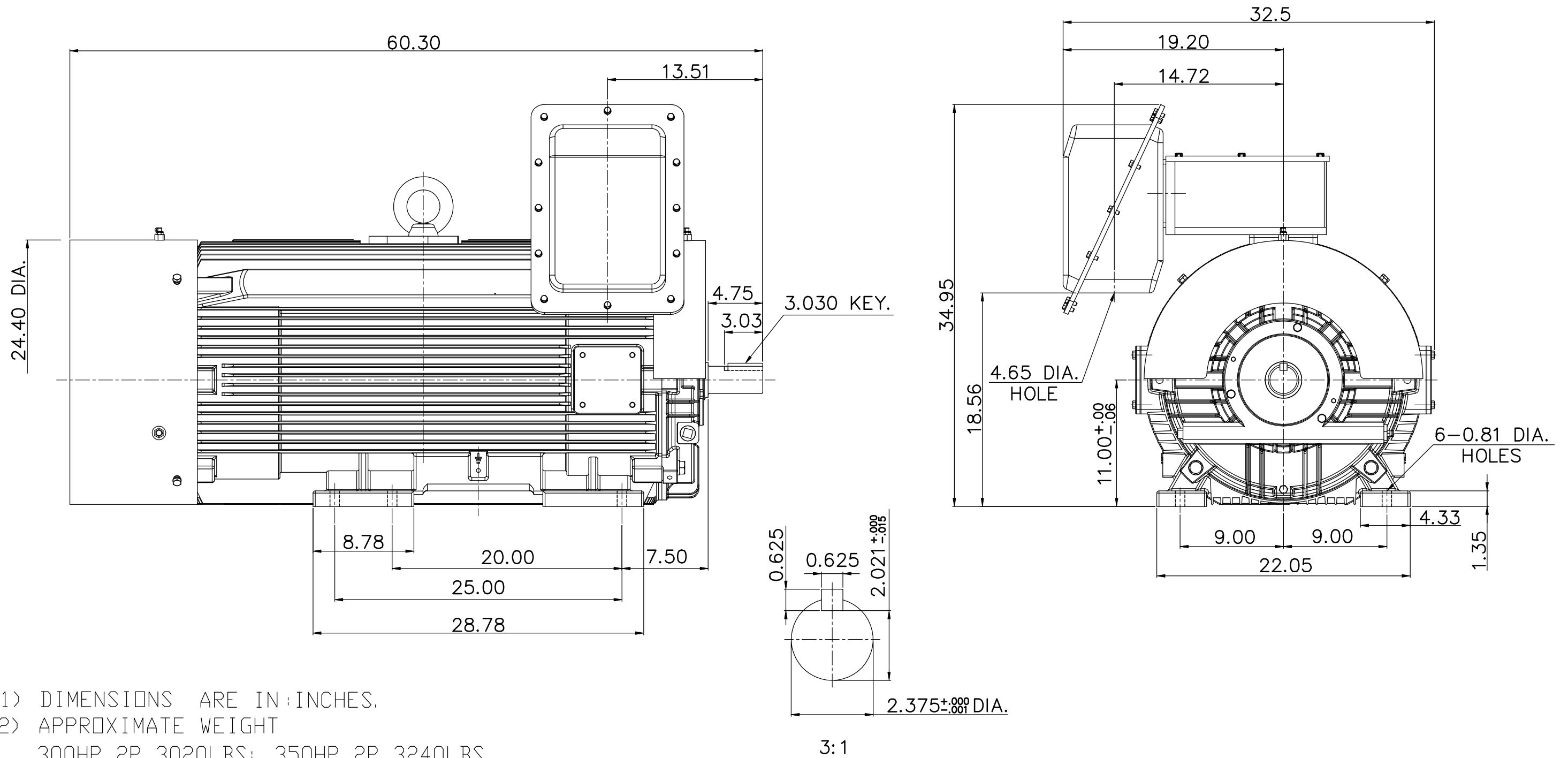
SUPER-MAX ALTERNATING CURRENT MOTORS

SQUIRREL-CAGE INDUCTION

ENCLOSURE: TOTALLY ENCLOSED
MOUNTING: FOOT

CAST IRON FRAME
FRAME S447TS/S449TS

COOLING: FAN COOLED



- (1) DIMENSIONS ARE IN INCHES.
- (2) APPROXIMATE WEIGHT
300HP, 2P, 3020LBS; 350HP, 2P, 3240LBS
400 HP, 2P, 3400LBS
- (3) DRIVE END BEARING 6316C3
OPPOSITE DRIVE END BEARING 6316C3
- (4) INTERNAL VOLUME OF CONDUIT BOX= 1185 CU , IN.

FRAME- _____ CERTIFIED FOR- _____
ORDER- _____ ITEM _____ HP- _____ RPM- _____ POLE- _____ HZ- _____ VOLTS- _____



DR. BY J. J. Syu
CK. BY C. P. Su
APP. BY D. M. Liao
DATE 2017/02/06

DIMENSION
SHEET

AS-060688