

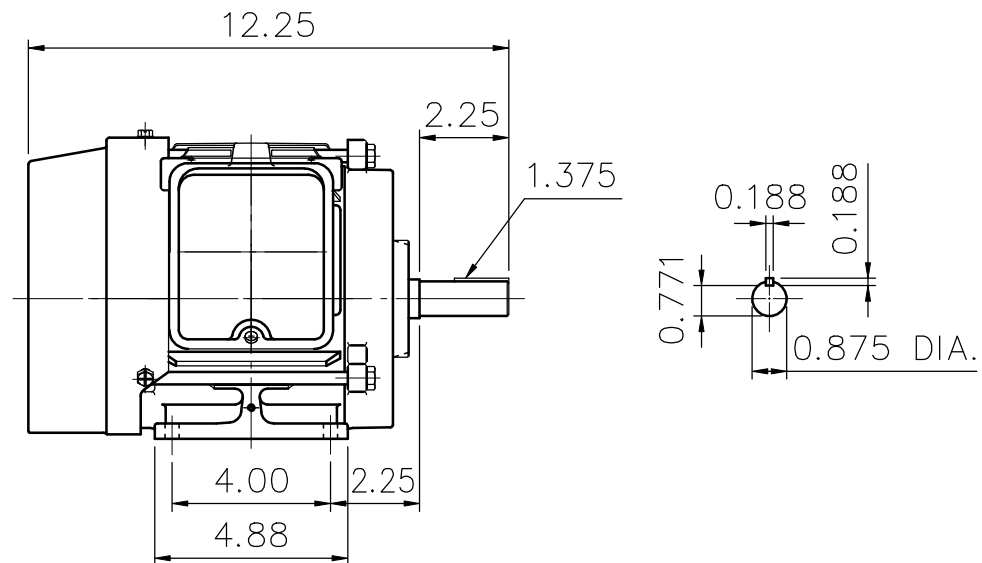
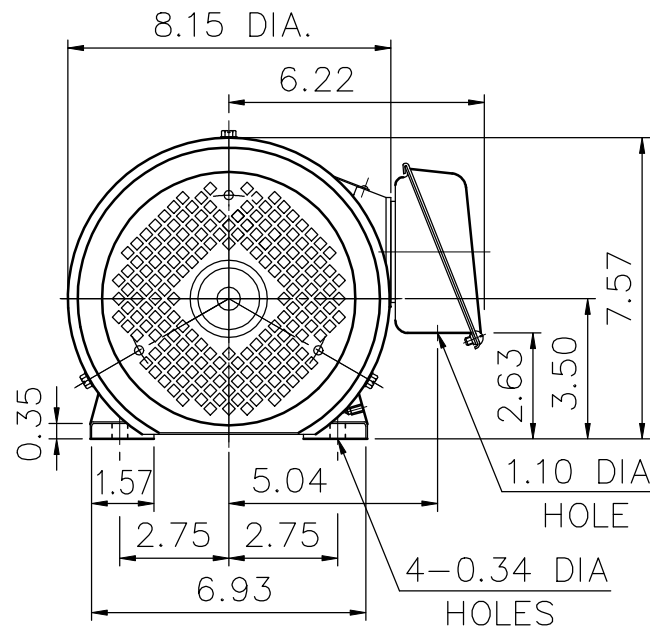
SUPER-MAX ALTERNATING CURRENT MOTORS

SQUIRREL-CAGE INDUCTION

ENCLOSURE: TOTALLY ENCLOSED
MOUNTING: FOOT

CAST IRON FRAME
FRAME 143T

COOLING: FAN COOLED



- (1) DIMENSIONS ARE IN INCHES.
- (2) APPROXIMATE WEIGHT = 1 HP, 2 P, -47 LBS.
1.5 HP, 2 P, -48 LBS.
1 HP, 4 P, -50 LBS.
0.75 HP, 6 P, -56 LBS.
- (3) DRIVE END BEARING 6205ZZ
OPPOSITE DRIVE END BEARING 6205ZZ
- (4) INTERNAL VOLUME OF CONDUIT BOX = 30.2 CU, IN.

Preliminary Drawing for Reference Only

OUTPUT	POLE	SYN. SPEED	VOLT	FREQ.	CERTIFIED BY _____ DATE _____	
					DR. BY <u>W. D. KUO</u>	
					CK. BY <u>L. J. LEE</u>	
					APP. BY <u>T. M. LIAD</u>	
					DATE <u>NOV. 27. 2008</u>	
DIMENSION SHEET					AS-870387 ①	