

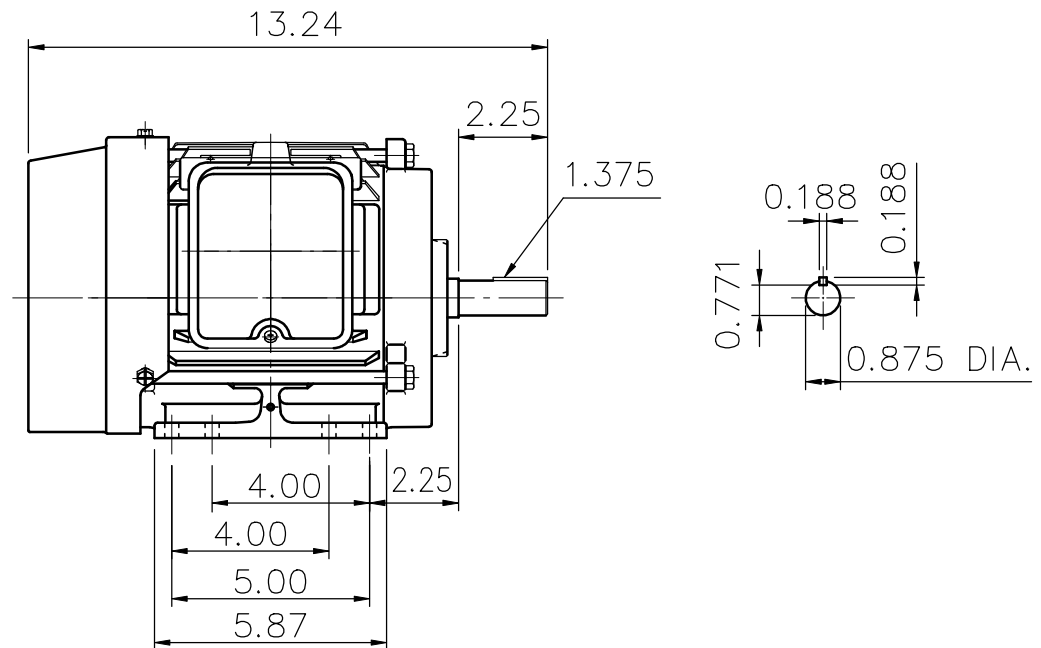
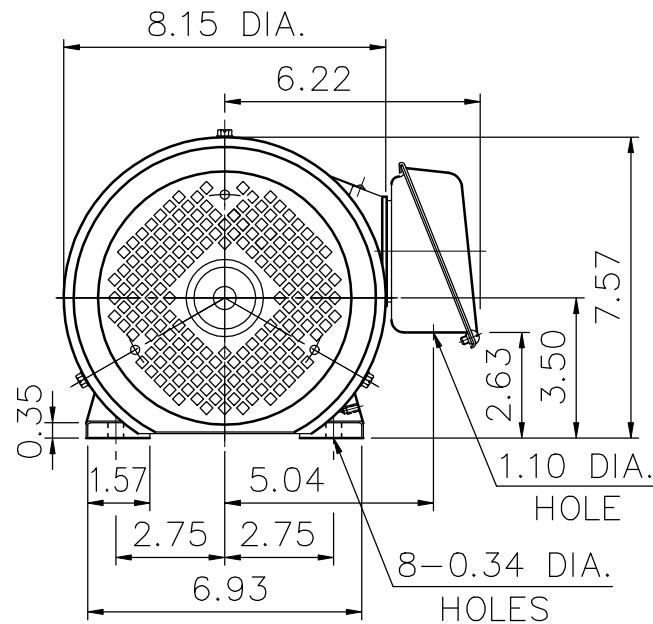
SUPER-MAX ALTERNATING CURRENT MOTORS

SQUIRREL-CAGE INDUCTION

ENCLOSURE: TOTALLY ENCLOSED
MOUNTING: FOOT

CAST IRON FRAME
FRAME 145T

COOLING: FAN COOLED



- (1) DIMENSIONS ARE IN INCHES.
- (2) APPROXIMATE WEIGHT = 1 HP, 6 P, - 56 LBS.
1.5 HP, 4 P, - 51 LBS.
2 HP, 2 P, - 55 LBS.
2 HP, 4 P, - 56 LBS.
- (3) DRIVE END BEARING 6205ZZ
OPPOSITE DRIVE END BEARING 6205ZZ
- (4) INTERNAL VOLUME OF CONDUIT BOX = 30.2 CU, IN.

Preliminary Drawing for Reference Only

OUTPUT	POLE	SYN. SPEED	VOLT	FREQ.	CERTIFIED BY _____ DATE _____	
					DIMENSION SHEET AS-870388 ①	
					CK. BY <u>L. J. LEE</u>	
					APP. BY <u>T. M. LIAD</u>	