

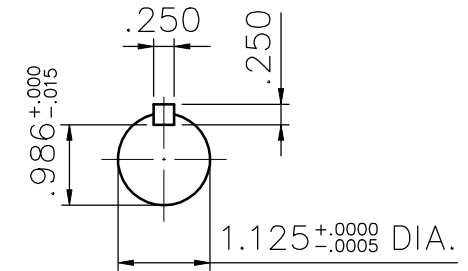
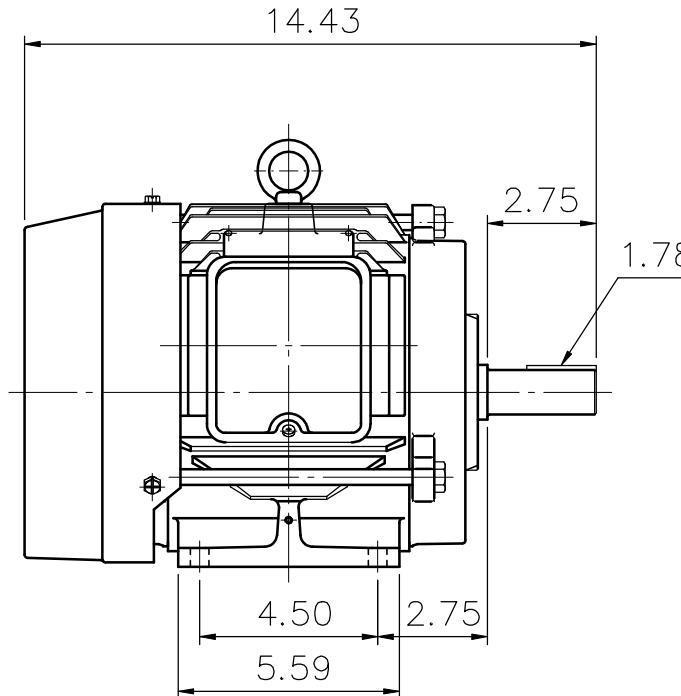
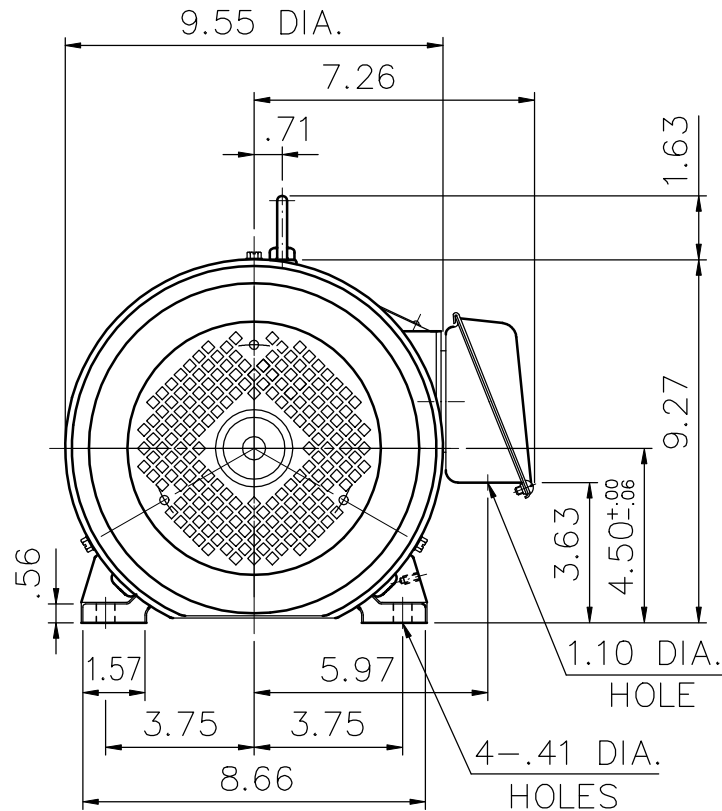
SUPER-MAX ALTERNATING CURRENT MOTORS

SQUIRREL-CAGE INDUCTION

ENCLOSURE: TOTALLY ENCLOSED
MOUNTING: FOOT

CAST IRON FRAME
FRAME 182T

COOLING: FAN COOLED



- (1) DIMENSIONS ARE IN INCHES.
 (2) APPROXIMATE WEIGHT = 3 HP, 2 P, - 78 LBS.
 3 HP, 4 P, - 80 LBS.
 1.5 HP, 6 P, - 80 LBS.
 (3) DRIVE END BEARING 6207ZZ
 OPPOSITE DRIVE END BEARING 6206ZZ
 (4) INTERNAL VOLUME OF CONDUIT BOX=30.2 CU, IN.

Preliminary Drawing for Reference Only

OUTPUT	POLE	SYN. SPEED	VOLT	FREQ.	CERTIFIED BY _____ DATE _____	
					DR. BY	W. D. KUO
					CK. BY	L. J. LEE
					APP. BY	T. M. LIAD
					DATE	NOV. 27, 2008
DIMENSION SHEET					AS-870389	