

SUPER-MAX

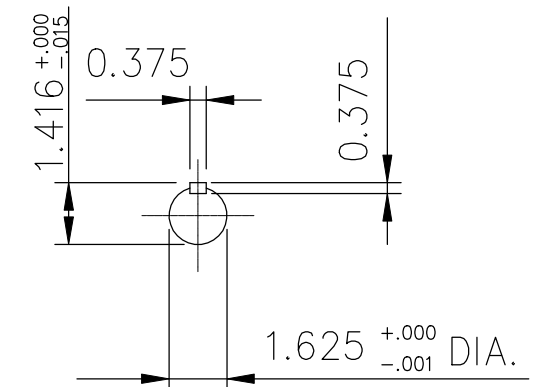
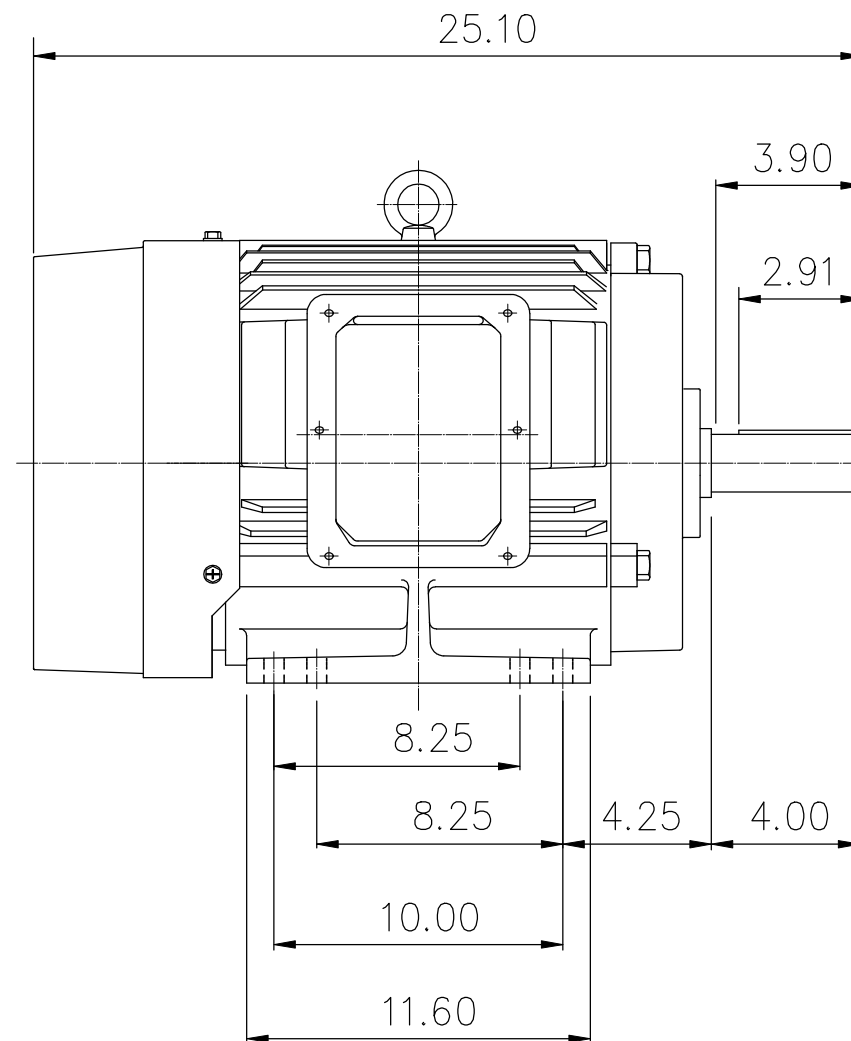
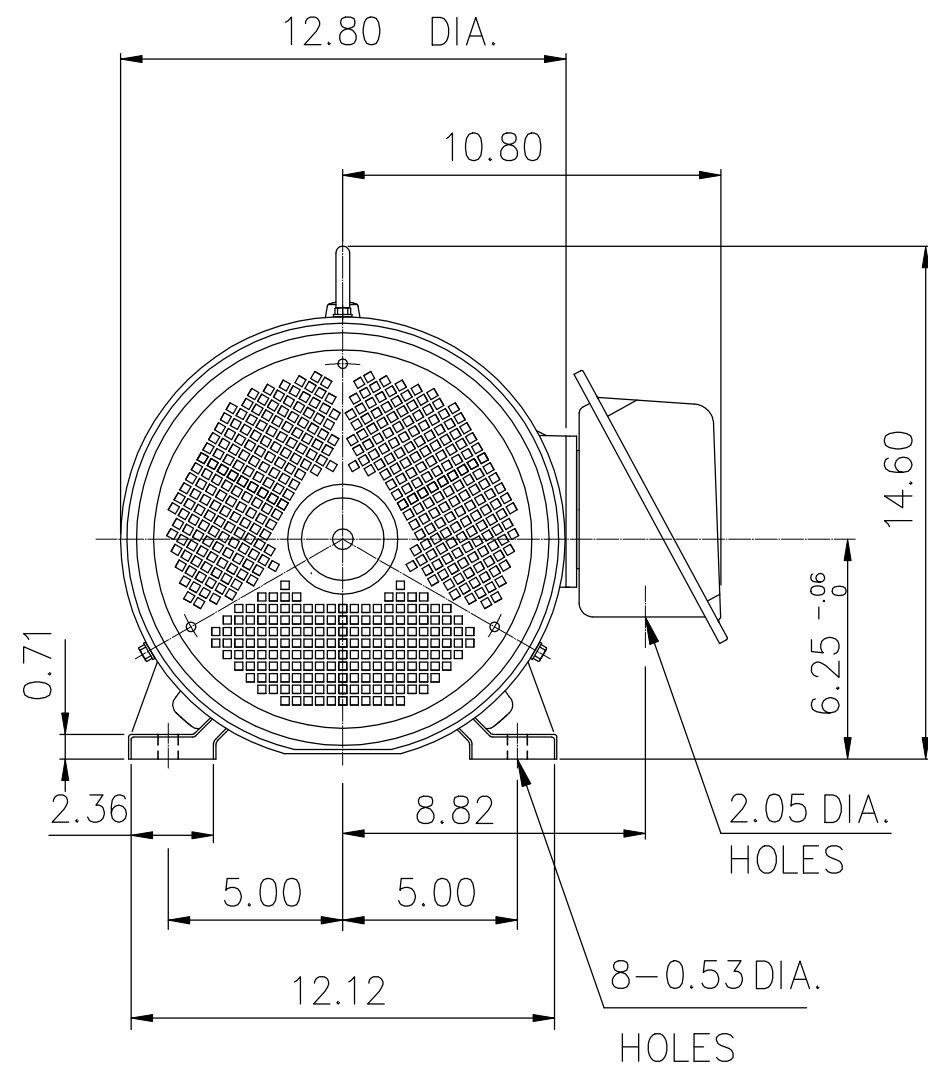
ALTERNATING CURRENT MOTORS

SQUIRREL-CAGE INDUCTION

ENCLOSURE: TOTALLY ENCLOSED
MOUNTING: FOOT

COOLING: FAN COOLED

CAST IRON FRAME
FRAME 256T



Preliminary Drawing For Reference Only

- < 1) DIMENSIONS ARE IN INCHES.
- < 2) APPROXIMATE WEIGHT = 325 lb.
- < 3) DRIVE END BEARING 6310ZZ
OPPOSITE DRIVE END BEARING 6208ZZ
- < 4) INTERNAL VOLUME OF CONDUIT BOX = 110.9 CU. IN.

OUTPUT	POLE	SYN. SPEED	VOLT	FREQ.	CERTIFIED BY _____ DATE _____	
					DIMENSION SHEET	
DR. BY <u>W. D. KUD</u> CK. BY <u>L. J. LEE</u> APP. BY <u>T. M. LIAD</u> DATE <u>NOV. 27, 2008</u>						