

SUPER-MAX

ALTERNATING CURRENT MOTORS

SQUIRREL-CAGE INDUCTION

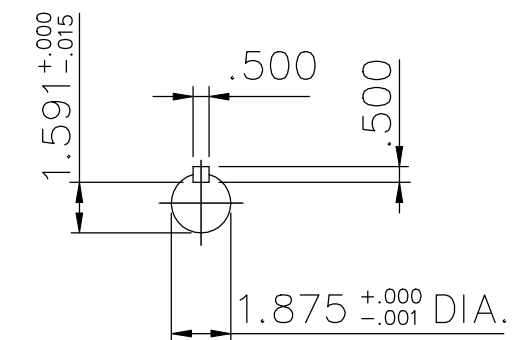
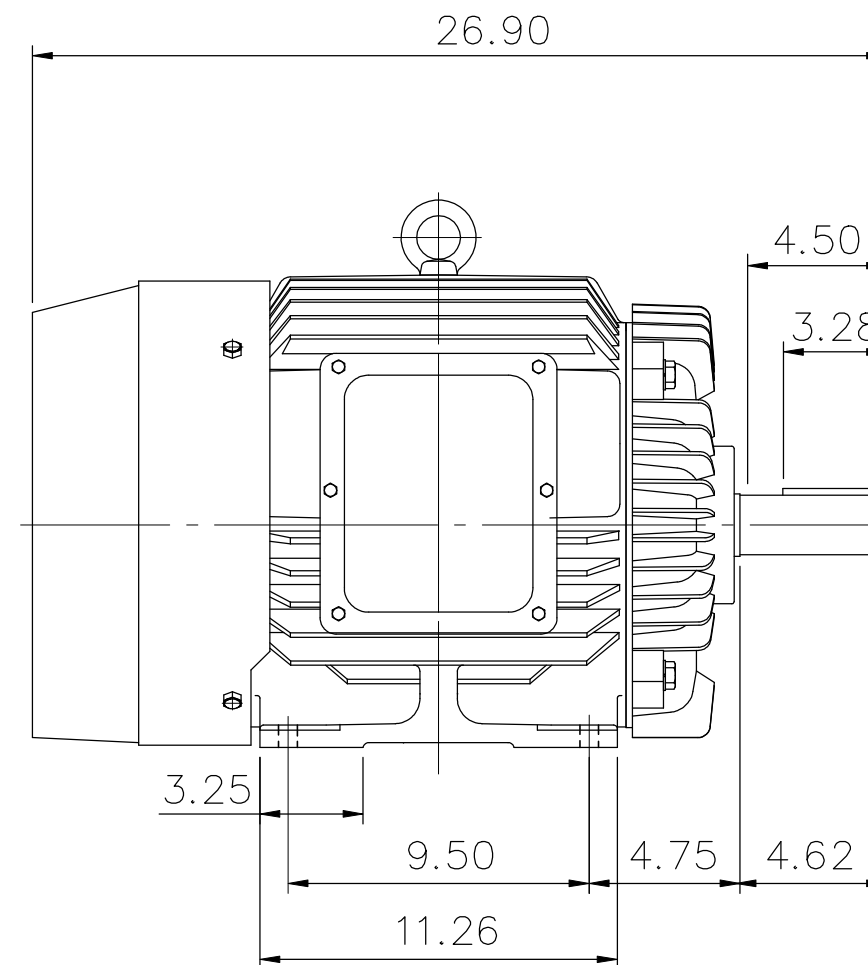
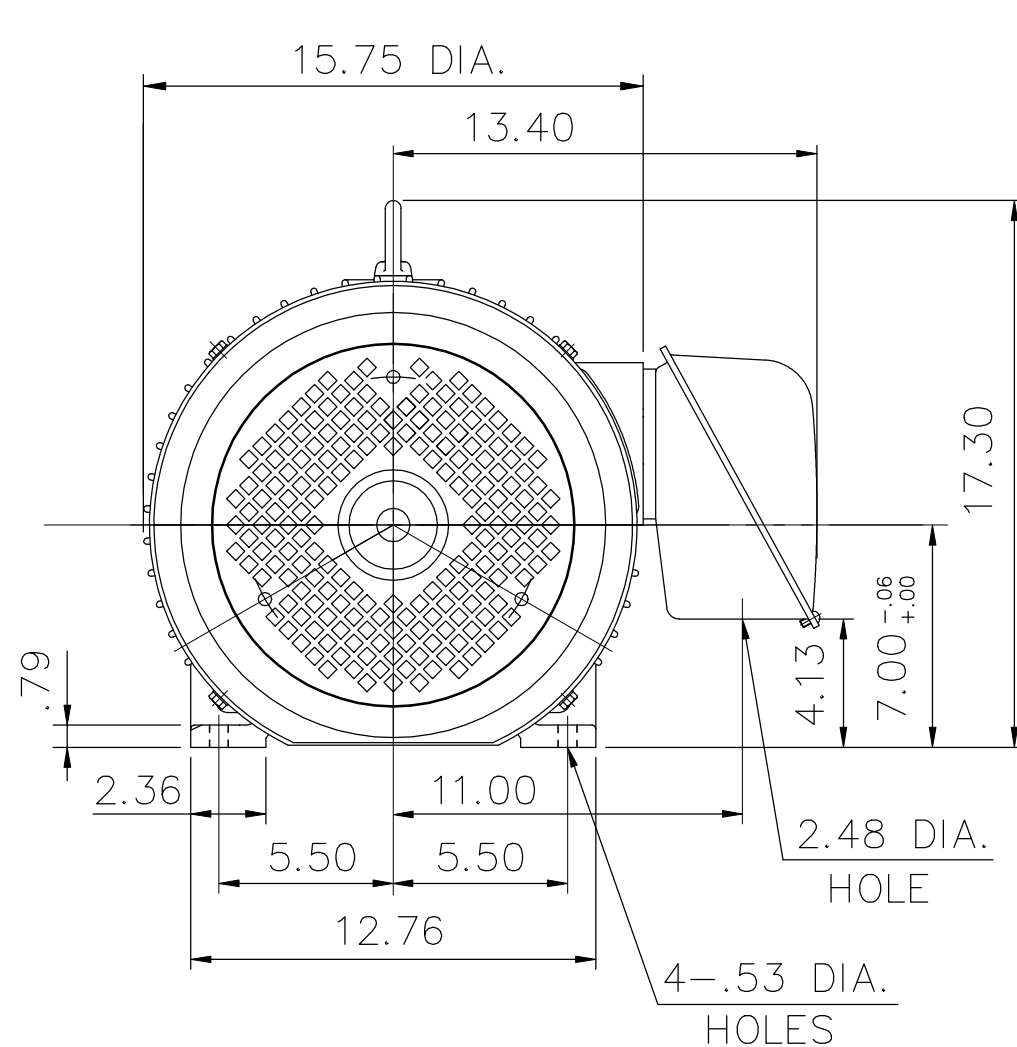
ENCLOSURE: TOTALLY ENCLOSED

MOUNTING: FOOT

CAST IRON FRAME

FRAME 284T

COOLING: FAN COOLED



Preliminary Drawing For Reference Only

- (1) DIMENSIONS ARE IN INCHES.
- (2) APPROXIMATE WEIGHT = 445 lb
- (3) DRIVE END BEARING 6310ZZ
OPPOSITE DRIVE END BEARING 6210ZZ
- (4) INTERNAL VOLUME OF CONDUIT BOX = 253 CU, IN.

OUTPUT	POLE	SYN. SPEED	VOLT	FREQ.	CERTIFIED BY _____ DATE _____	
					DR. BY	Y. J. CHEN
					CK. BY	L. J. LEE
DIMENSION SHEET					APP. BY	L. J. LEE
					DATE	2020.02.03
AS-872738						