

# SUPER-MAX

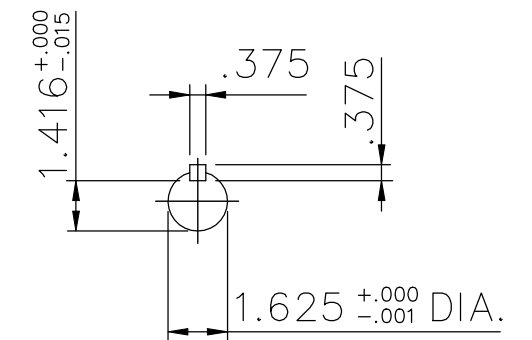
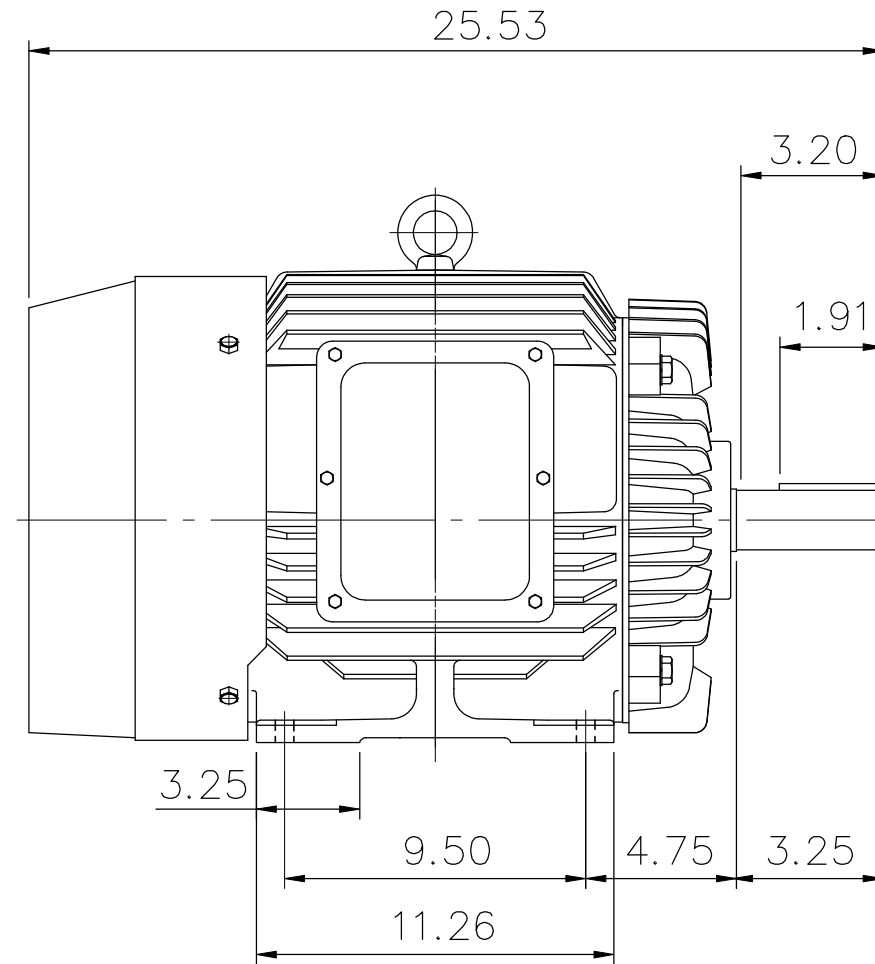
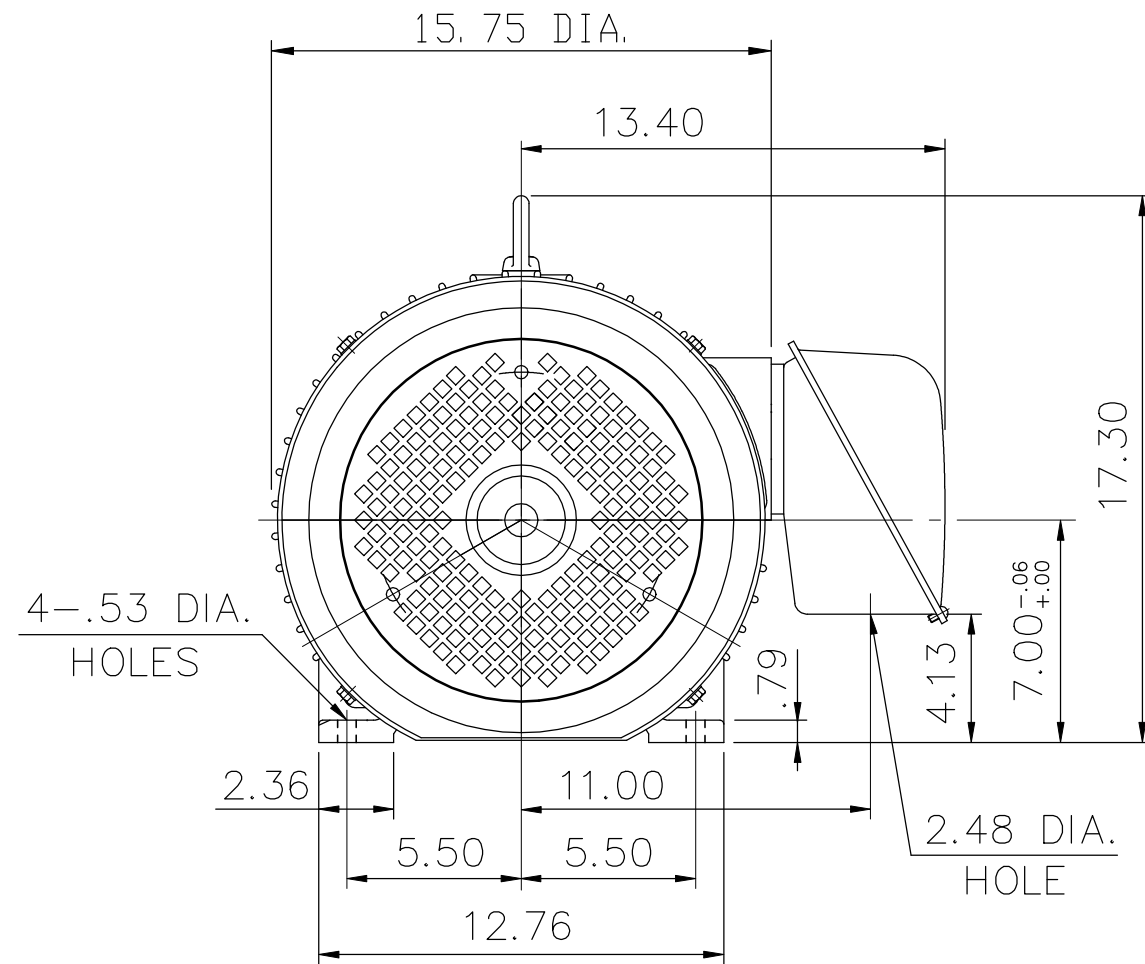
# ALTERNATING CURRENT MOTORS

SQUIRREL-CAGE INDUCTION

ENCLOSURE: TOTALLY ENCLOSED  
MOUNTING: FOOT

COOLING: FAN COOLED

CAST IRON FRAME  
FRAME 284TS



- (1) DIMENSIONS ARE IN INCHES.
- (2) APPROXIMATE WEIGHT = 430 lb
- (3) DRIVE END BEARING 6310ZZ  
OPPOSITE DRIVE END BEARING 6210ZZ
- (4) INTERNAL VOLUME OF CONDUIT BOX= 253 CU, IN.

Preliminary Drawing For Reference Only

OUTPUT	POLE	SYN. SPEED	VOLT	FREQ.	CERTIFIED BY _____ DATE _____	
					DR. BY	Y. J. CHEN
					CK. BY	L. J. LEE
					APP. BY	L. J. LEE
					DATE	2020.02.03
DIMENSION SHEET					AS-872739	