

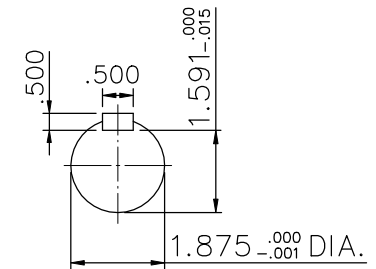
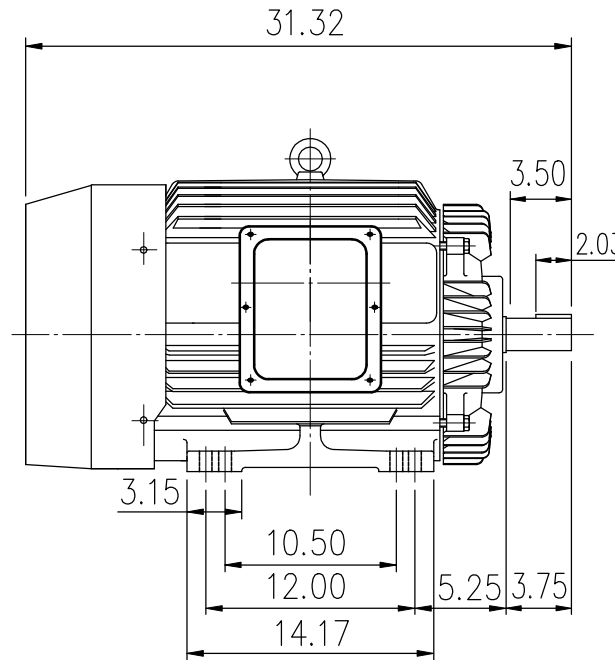
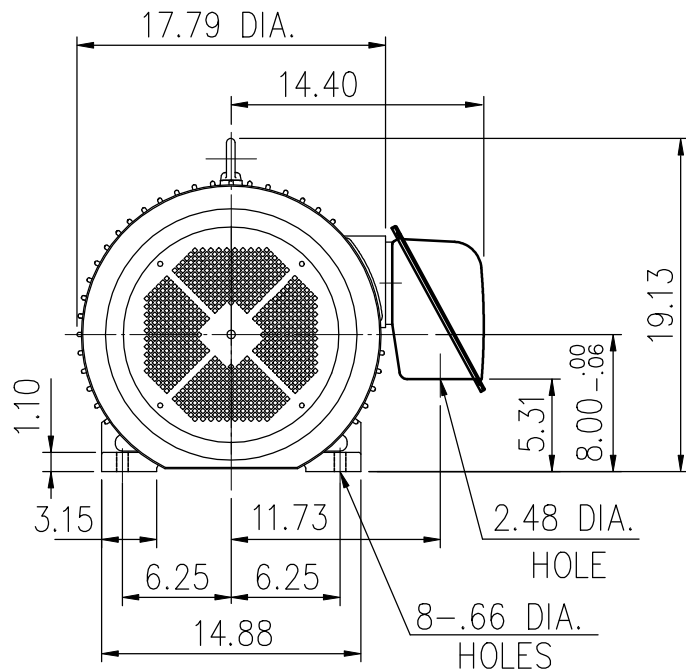
SUPER-MAX ALTERNATING CURRENT MOTORS

SQUIRREL-CAGE INDUCTION

ENCLOSURE: TOTALLY ENCLOSED
MOUNTING: FOOT

CAST IRON FRAME
FRAME 326TS

COOLING: FAN COOLED



- (1) DIMENSIONS ARE IN INCHES.
- (2) APPROXIMATE WEIGHT = 710 LBS.
- (3) DRIVE END BEARING 6312C3
OPPOSITE DRIVE END BEARING 6212C3
- (4) INTERNAL VOLUME OF CONDUIT BOX= 253 CU, IN.

Preliminary Drawing for Reference Only

| OUTPUT | POLE | SYN. SPEED | VOLT | FREQ. | CERTIFIED BY _____ DATE _____ | |
|------------------------|------|---------------------------|------|-----------------------|-------------------------------|--|
| | | | | | DR. BY <u>W. D. KUD</u> | |
| | | | | | CK. BY <u>L. J. LEE</u> | |
| DIMENSION SHEET | | APP. BY <u>T. M. LIAD</u> | | AS-872745 (01) | | |
| | | DATE <u>NOV. 27, 2008</u> | | | | |