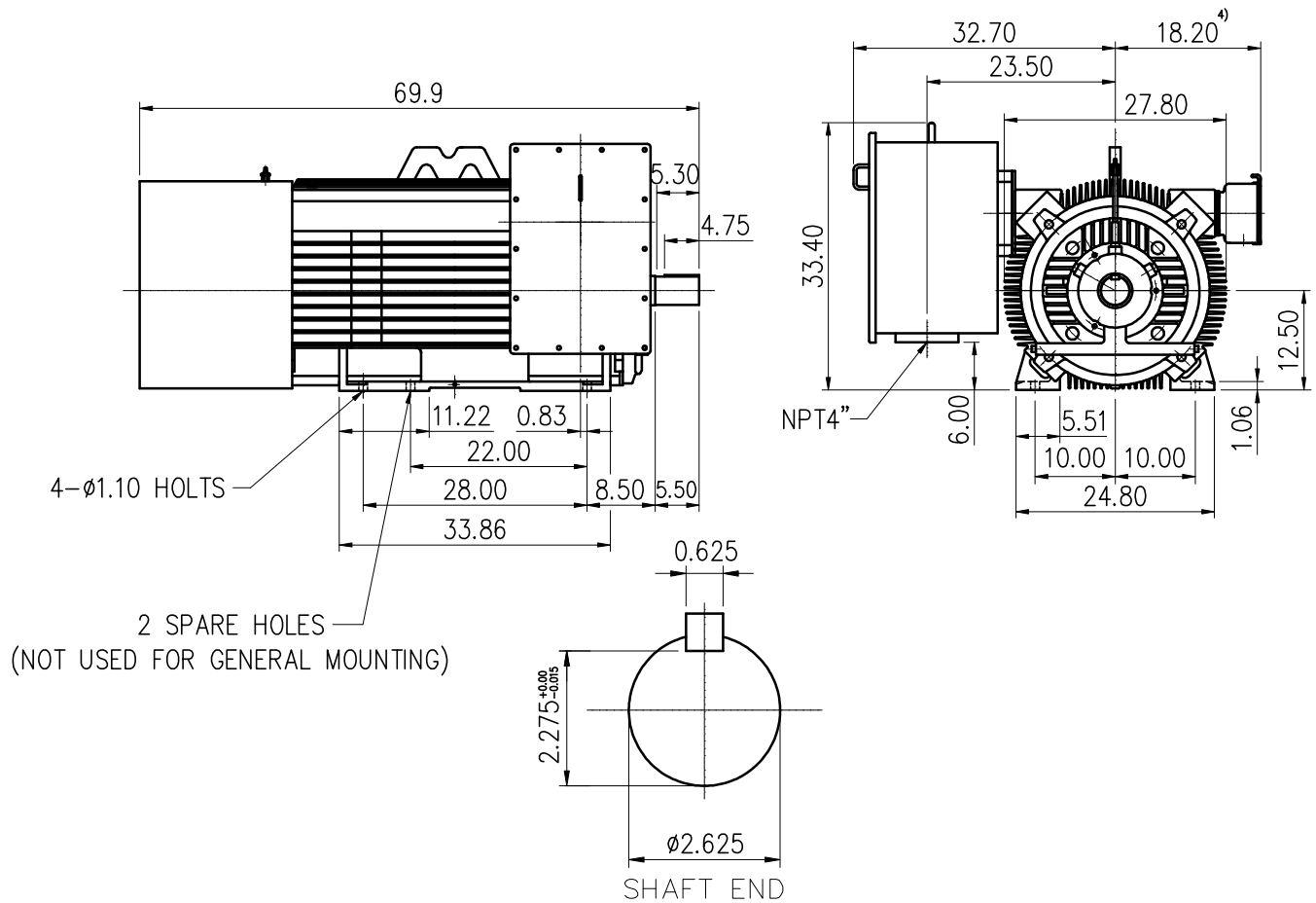


OUTLINE 3-PHASE INDUCTION MOTOR			TOTALLY ENCLOSED FAN COOLED SQUIRREL CAGE ROTOR ANTI-FRICTION BEARING				PROJECT NO:	
							CUSTOMER:	
OUTPUT	POLE	SYN. SPEED RPM.	VOLT. V.	FREQ HZ	INSUL. F	TIME RATING CONT.	MODEL TIK-FCKW	FRAME NO. N5009



Note:

- 1) Tolerance of shaft center height : +0.00 inch ~ -0.06 inch.
- 2) Tolerance of shaft end diameter : +0.00 inch ~ -0.001 inch.
- 3) For direct coupling.
- 4) Auxiliary terminal box is optional and dependent on specified accessories.
- 5) Approximate weight = 4405 lbs.
- 6) Drive end bearing: 6315C3.
Opposite drive end bearing: 6315C3.
- 7) Direction of rotation : C.W (viewed from non-drive end).

Preliminary Drawing for Reference Only



BASIC DWG NO: AL-FB-5626

CERTIFIED BY:		DATE:
DESIGNED	C.Y.WEN	DIMENSIONS IN inch
CHECKED	T.F.CHENG	3RD ANGLE PROJECTION
APPROVED	T.F.CHENG	DATE: NOV.30.2009