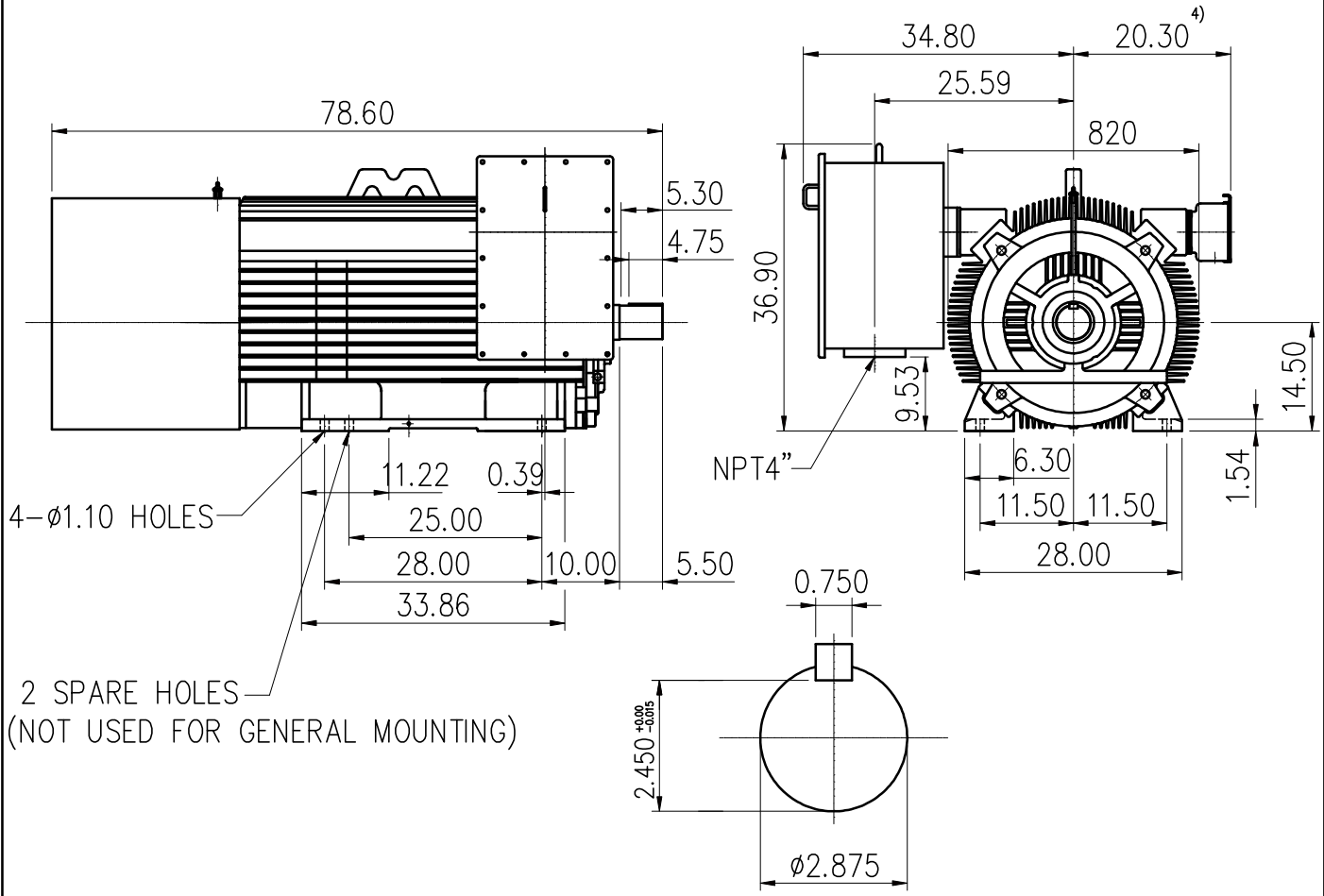


OUTLINE 3-PHASE INDUCTION MOTOR	TOTALLY ENCLOSED FAN COOLED SQUIRREL CAGE ROTOR ANTI-FRICTION BEARING	PROJECT NO:
		CUSTOMER: PO. NO: ORDER NO:

OUTPUT	POLE	SYN. SPEED RPM.	VOLT. V.	FREQ HZ	INSUL. F	TIME RATING CONT.	MODEL TIK-FCKW	FRAME NO. N5808
--------	------	--------------------	-------------	------------	-------------	----------------------	-------------------	--------------------



- Note:
- 1) Tolerance of shaft center height : +0.00 inch ~ -0.06 inch.
 - 2) Tolerance of shaft end diameter : +0.00 inch ~ -0.001 inch.
 - 3) For direct coupling.
 - 4) Auxiliary terminal box is optional and dependent on specified accessories.
 - 5) Approximate weight = 5400 lbs.
 - 6) Drive end bearing: 6218C3.
Opposite drive end bearing: 6218C3.
 - 7) Direction of rotation : C.W (viewed from non-drive end).

Preliminary Drawing for Reference Only



BASIC DWG NO: AL-FB-5632

CERTIFIED BY:		DATE:
DESIGNED	C.Y.WEN	DIMENSIONS IN inch
CHECKED	T.F.CHENG	3RD ANGLE PROJECTION
APPROVED	T.F.CHENG	DATE: NOV.30.2009