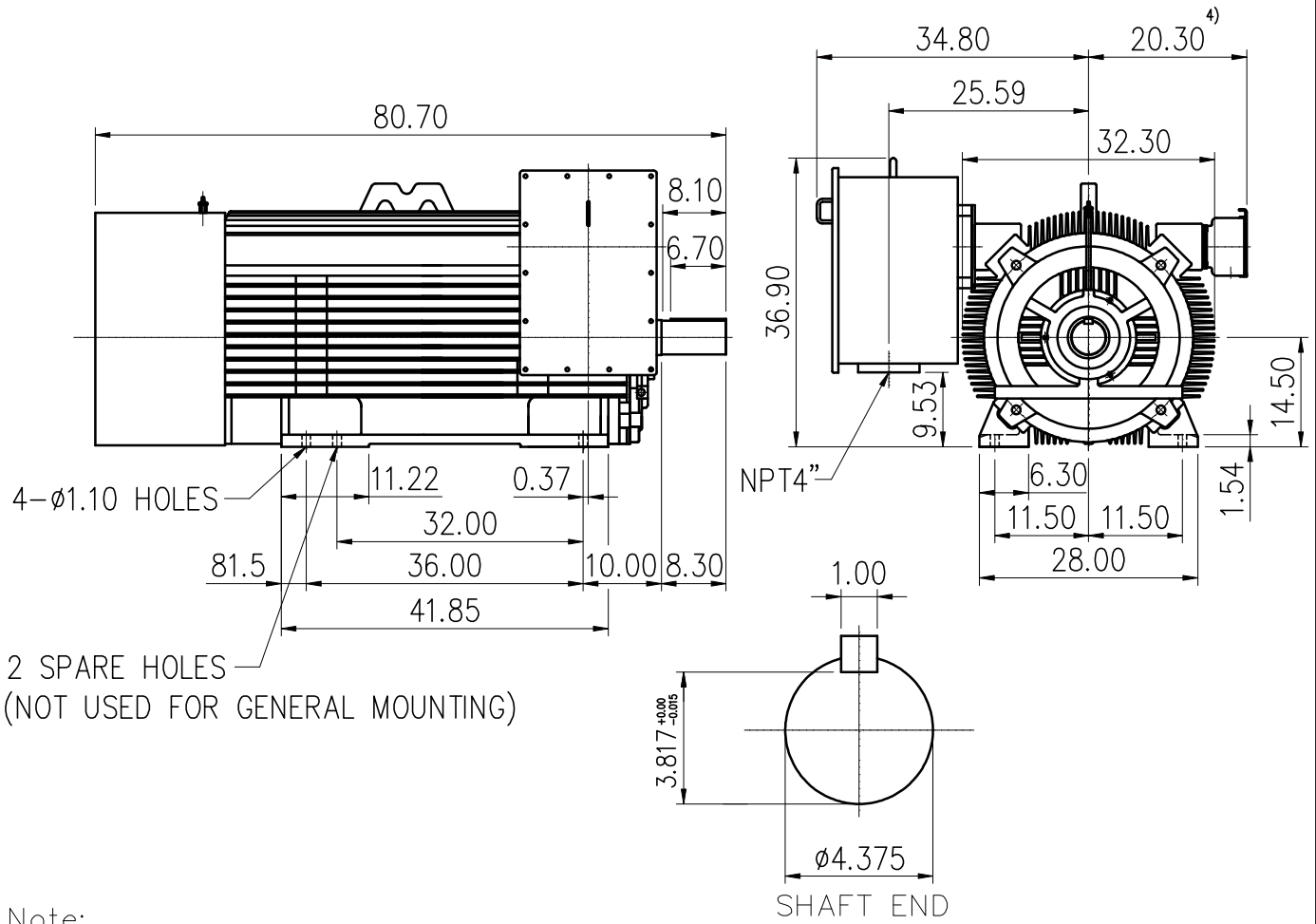


| | | |
|--|--|--|
| OUTLINE 3-PHASE INDUCTION MOTOR | TOTALLY ENCLOSED FAN COOLED SQUIRREL CAGE ROTOR ANTI-FRICTION BEARING | PROJECT NO: |
| | | CUSTOMER: PO. NO: ORDER NO: |

| OUTPUT | POLE | SYN. SPEED RPM. | VOLT. V. | FREQ HZ | INSUL. F | TIME RATING CONT. | MODEL TIK-FCKW | FRAME NO. N5810 |
|--------|------|--------------------|-------------|------------|-------------|----------------------|-------------------|--------------------|
|--------|------|--------------------|-------------|------------|-------------|----------------------|-------------------|--------------------|



- Note:
- 1) Tolerance of shaft center height : +0.00 inch ~ -0.06 inch.
 - 2) Tolerance of shaft end diameter : +0.00 inch ~ -0.001 inch.
 - 3) For direct coupling.
 - 4) Auxiliary terminal box is optional and dependent on specified accessories.
 - 5) Approximate weight = 6600 lbs.
 - 6) Drive end bearing: 6224C3.
Opposite drive end bearing: 6224C3.
 - 7) Direction of rotation: C.W (viewed from non-drive end)
 - 8) Total length will be extended 11.8 inch to meet 85dBA for 4 pole motors.

Preliminary Drawing for Reference Only



BASIC DWG NO: AL-FB-5690

| | | |
|---------------|-----------|----------------------|
| CERTIFIED BY: | | DATE: |
| DESIGNED | C.Y.WEN | DIMENSIONS IN inch |
| CHECKED | T.F.CHENG | 3RD ANGLE PROJECTION |
| APPROVED | T.F.CHENG | DATE: OCT.30.2009 |