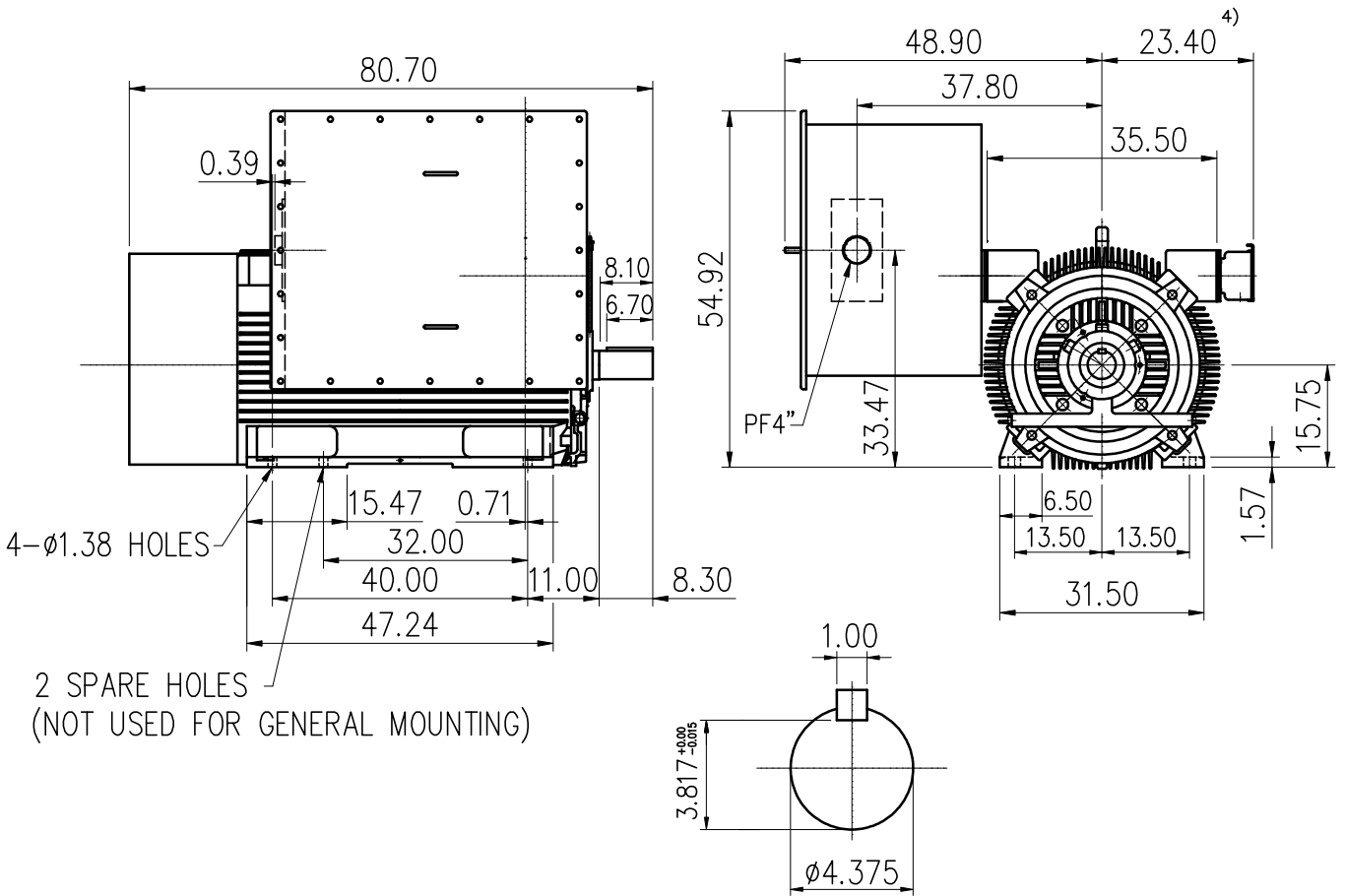


<b>OUTLINE 3-PHASE INDUCTION MOTOR</b>	<b>TOTALLY ENCLOSED FAN COOLED SQUIRREL CAGE ROTOR ANTI-FRICTION BEARING</b>	<b>PROJECT NO:</b>
		<b>CUSTOMER: PO. NO: ORDER NO:</b>

OUTPUT	POLE	SYN. SPEED RPM	VOLT. V	FREQ HZ	INSUL. F	TIME RATING CONT.	MODEL TIK-FCKW	FRAME NO. N6310
--------	------	-------------------	------------	------------	-------------	----------------------	-------------------	--------------------



2 SPARE HOLES  
(NOT USED FOR GENERAL MOUNTING)

SHAFT END

- Note:
- 1) Tolerance of shaft center height : +0.00 inch ~ -0.06 inch.
  - 2) Tolerance of shaft end diameter : +0.00 inch ~ -0.001 inch.
  - 3) For direct coupling.
  - 4) Auxiliary terminal box is optional and dependent on specified accessories.
  - 5) Approximate weight = 9250 lbs.
  - 6) Drive end bearing: 6224C3.  
Opposite drive end bearing: 6224C3.
  - 7) Direction of rotation : C.W (viewed from non-drive end).
  - 8) Total length will be extended 11.8 inch to meet 85dBA for 4 pole motors.

**Preliminary Drawing for Reference Only**



BASIC DWG NO: AL-FB-5696

CERTIFIED BY:		DATE:
DESIGNED	C.Y.WEN	DIMENSIONS IN inch
CHECKED	T.F.CHENG	3RD ANGLE PROJECTION
APPROVED	T.F.CHENG	DATE: NOV.30.2009