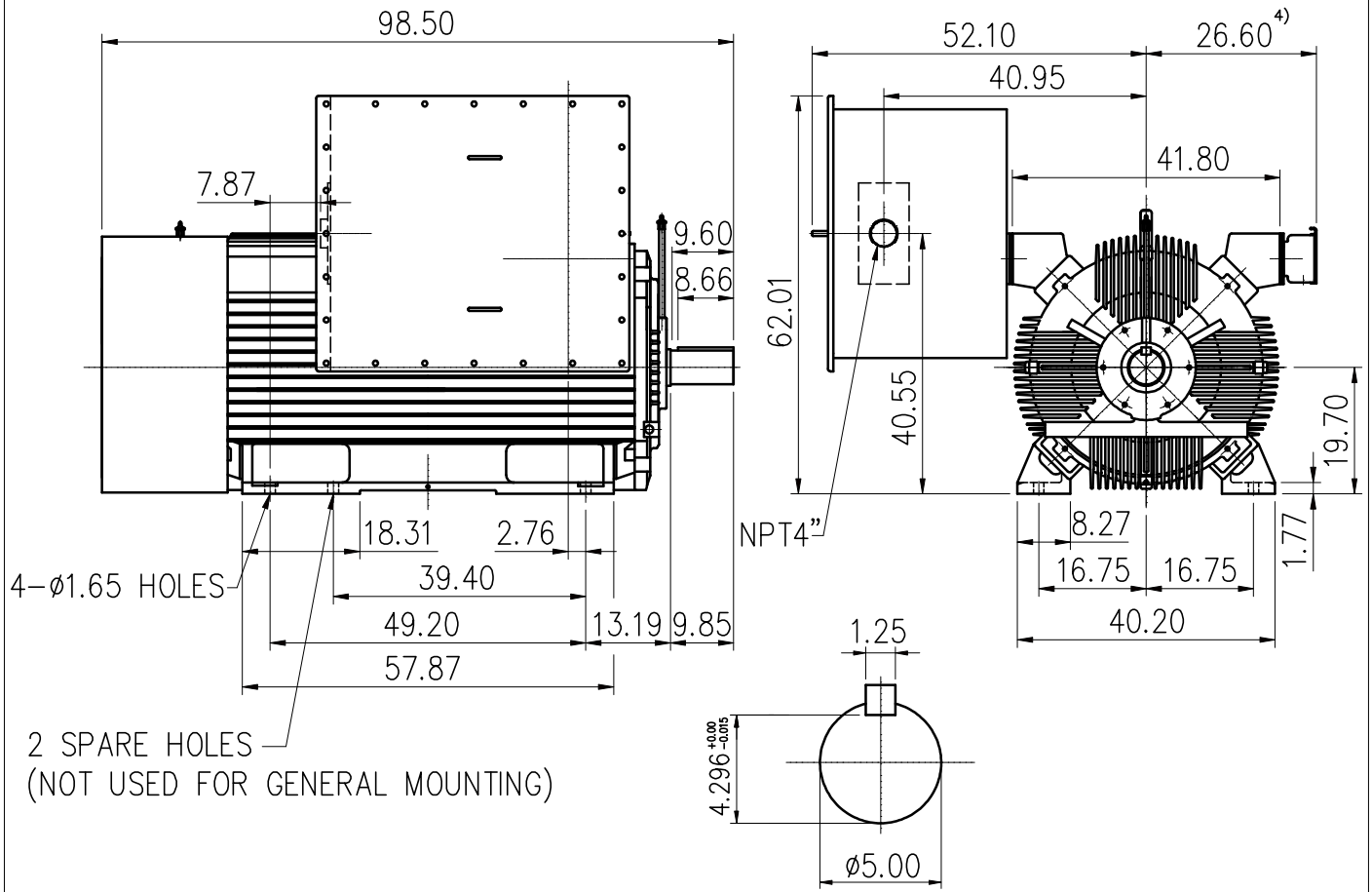


OUTLINE 3-PHASE INDUCTION MOTOR

TOTALLY ENCLOSED
FAN COOLED
SQUIRREL CAGE ROTOR
ANTI-FRICTION BEARING

PROJECT NO:
CUSTOMER:
PO. NO:
ORDER NO:

| OUTPUT | POLE | SYN. SPEED RPM | VOLT. V | FREQ HZ | INSUL. F | TIME RATING CONT. | MODEL TIK-FCKW | FRAME NO. N7808 |
|--------|------|-------------------|------------|------------|-------------|----------------------|-------------------|--------------------|
|--------|------|-------------------|------------|------------|-------------|----------------------|-------------------|--------------------|



2 SPARE HOLES
(NOT USED FOR GENERAL MOUNTING)

SHAFT END

Note:

- 1) Tolerance of shaft center height : +0.00 inch ~ -0.06 inch.
- 2) Tolerance of shaft end diameter : +0.00 inch ~ -0.001 inch.
- 3) For direct coupling.
- 4) Auxiliary terminal box is optional and dependent on specified accessories.
- 5) Approximate weight = 14100 lbs.
- 6) Drive end bearing: 6230C3
Opposite drive end bearing: 6324C3
- 7) Direction of rotation : C.W (viewed from non-drive end)
- 8) Total length will be extended 11.8 inch to meet 85dBA for 4 pole motors.

Preliminary Drawing for Reference Only



BASIC DWG NO: AL-FB-5702

| CERTIFIED BY: | | DATE: |
|---------------|-----------|----------------------|
| DESIGNED | C.Y.WEN | DIMENSIONS IN inch |
| CHECKED | T.F.CHENG | 3RD ANGLE PROJECTION |
| APPROVED | T.F.CHENG | DATE: NOV.30.2009 |