

OUTLINE 3-PHASE INDUCTION MOTOR

TOTALLY ENCLOSED
FAN COOLED
SQUIRREL CAGE ROTOR
ANTI-FRICTION BEARING

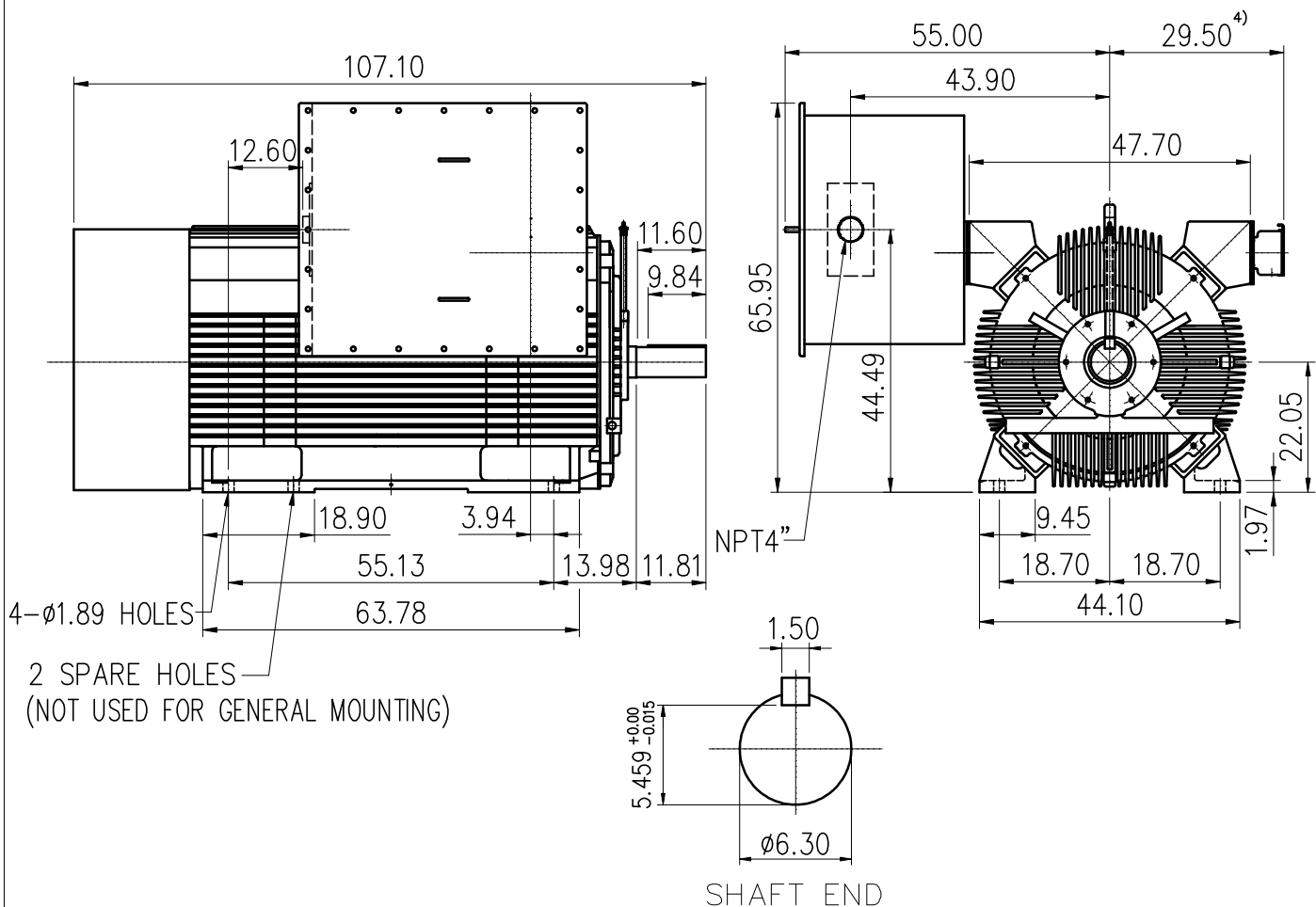
PROJECT NO:

CUSTOMER:

PO. NO:

ORDER NO:

OUTPUT	POLE	SYN. SPEED RPM	VOLT. V	FREQ HZ	INSUL. F	TIME RATING CONT.	MODEL TIK-FCKW	FRAME NO. N8810
--------	------	-------------------	------------	------------	-------------	----------------------	-------------------	--------------------



Note:

- 1) Tolerance of shaft center height : +0.00 inch ~ -0.06 inch.
- 2) Tolerance of shaft end diameter : +0.00 inch ~ -0.001 inch.
- 3) For direct coupling.
- 4) Auxiliary terminal box is optional and dependent on specified accessories.
- 5) Approximate weight = 18700 lbs.
- 6) Drive end bearing: NU1034/C3+6034C3.
Opposite drive end bearing: NU228/C3.
- 7) Direction of rotation : C.W (viewed from non-drive end).
- 8) Total length will be extended 11.8 inch to meet 85dBA for 6 pole motors.

Preliminary Drawing for Reference Only



BASIC DWG NO: AL-FB-5706

CERTIFIED BY:		DATE:
DESIGNED	C.Y.WEN	DIMENSIONS IN inch
CHECKED	T.F.CHENG	3RD ANGLE PROJECTION
APPROVED	T.F.CHENG	DATE: NOV.30.2009