

EXPLOSION-PROOF MOTORS

SQUIRREL-CAGE INDUCTION

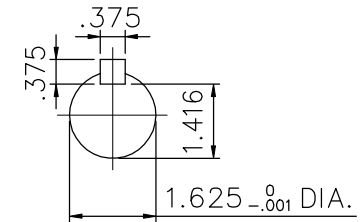
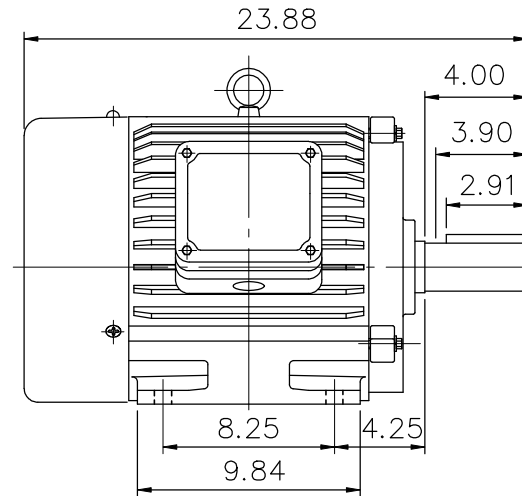
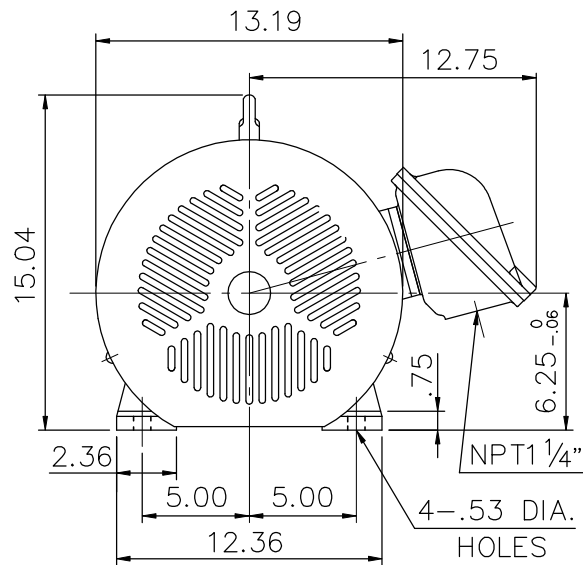
CAST IRON FRAME

FRAME 254T

COOLING: FAN COOLED

CLASS I , DIVISION I , GROUP D.

ENCLOSURE: TOTALLY ENCLOSED
HORIZONTAL: FOOT-MOUNTED



- (1) DIMENSIONS ARE IN INCHES.
- (2) APPROXIMATE WEIGHT= 392 LBS
- (3) INTERNAL VOLUME OF CONDUIT BOX= 98.6 CU, IN.
- (4) DRIVE END BEARING 6310ZZ
OPPOSITE DRIVE END BEARING 6208ZZ
- (5) ALL DATA SUBJECT TO CHANGE WITHOUT NOTICE
- (6) FOR CONSTRUCTION USE ONLY CERTIFIED DATA

初步圖面，僅供參考

OUTPUT	POLE	SYN. SPEED	VOLT	FREQ.	CERTIFIED BY _____ DATE _____	
					DR. BY	W. D. KUD
					CK. BY	L. J. LEE
					APP. BY	T. M. LIAO
					DATE	NOV. 27, 2008

DIMENSION SHEET

AS-968582