

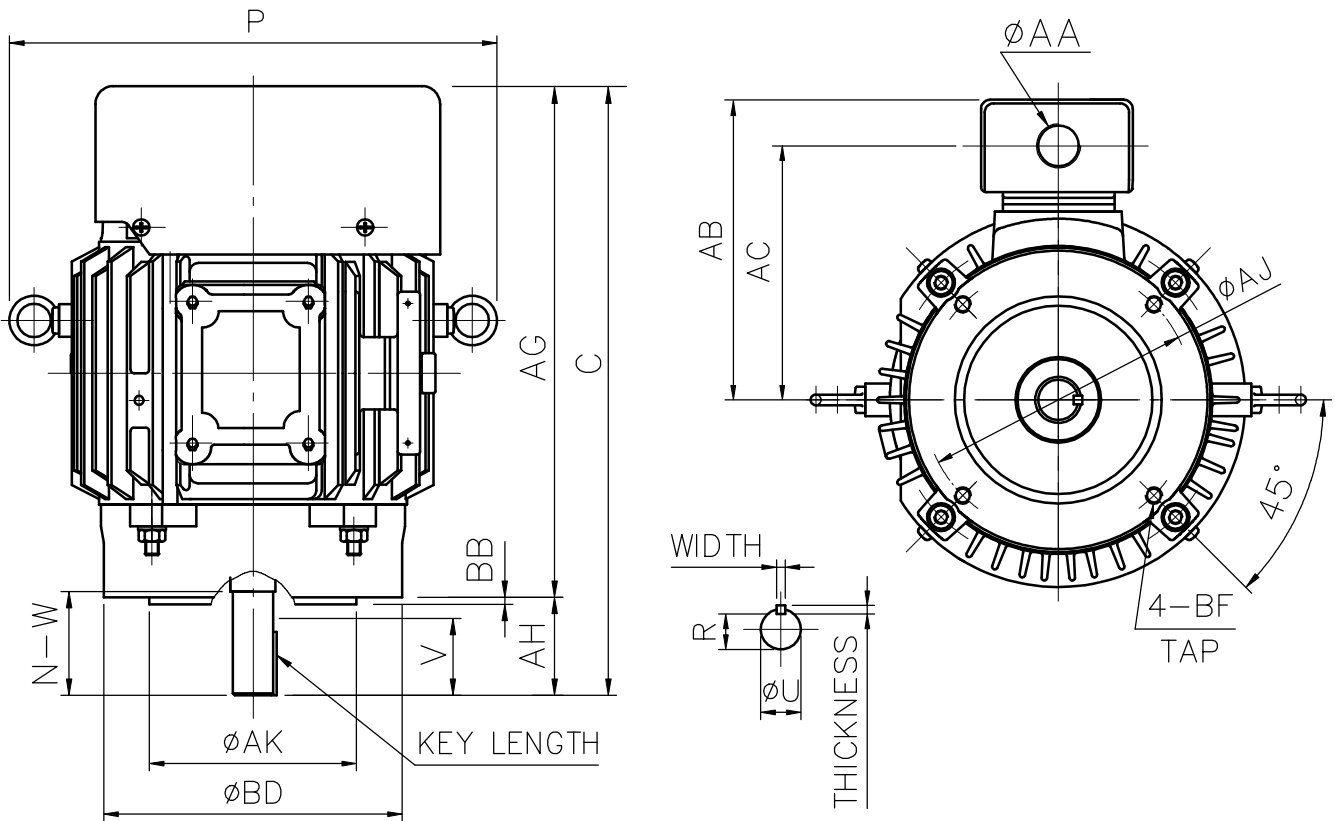
# OUTLINE 3-PHASE INDUCTION MOTOR

TOTALLY ENCLOSED FAN  
COOLED, SQUIRREL CAGE  
ROTOR

FILE NO:  
CUSTOMER:  
PO. NO:  
ORDER NO:

OUTPUT	POLE	SYN. SPEED	VOLT.	FREQ	TIME RATING	MODEL	FRAME NO.
					CONT.	TEFC-DXX	184TC

- \* Class I , Division I , Group D
- \* Class II , Division I , Group E, F & G



P	C	AG	BF	BB	BD	AK	AH	AJ	AC	SHAFT EXTENSION		
										N-W	U	V
13.90	16.92	14.30	1/2-13	0.25	9.00	8.50	2.62	7.25	7.60	2.75	1.125	2.70

CONDUIT BOX		KEY			KEY SEAT	BEARING NO.		APPROX WT.
AA	AB	WIDTH	THICKNESS	LENGTH	R	D.E.	O.D.E.	
NPT1"	9.57	0.250	0.250	1.750	0.986	6207ZZ	6206ZZ	169 lb

- NOTE: 1. TOLERANCE ON DIMENSION  $\phi U$ : +0.000 inch, -0.0005 inch.  
 2. TOLERANCE ON DIMENSION  $\phi AK$ : +0.000 inch, -0.003 inch.  
 3. DIMENSION V IS LENGTH OF STRAIGHT PART SHAFT.  
 4. F CLASS INSULATION

初步圖面，僅供參考

CERTIFIED BY : \_\_\_\_\_ DATE : \_\_\_\_\_



DESIGNED	W. D. KUO	DWG. NO: AS-975049
CHECKED	L. J. LEE	3RD ANGLE PROJECTION
APPROVED	T. M. LIAO	DIMENSIONS IN inch