

# OUTLINE 3-PHASE INDUCTION MOTOR

TOTALLY ENCLOSED FAN  
COOLED, SQUIRREL CAGE  
ROTOR

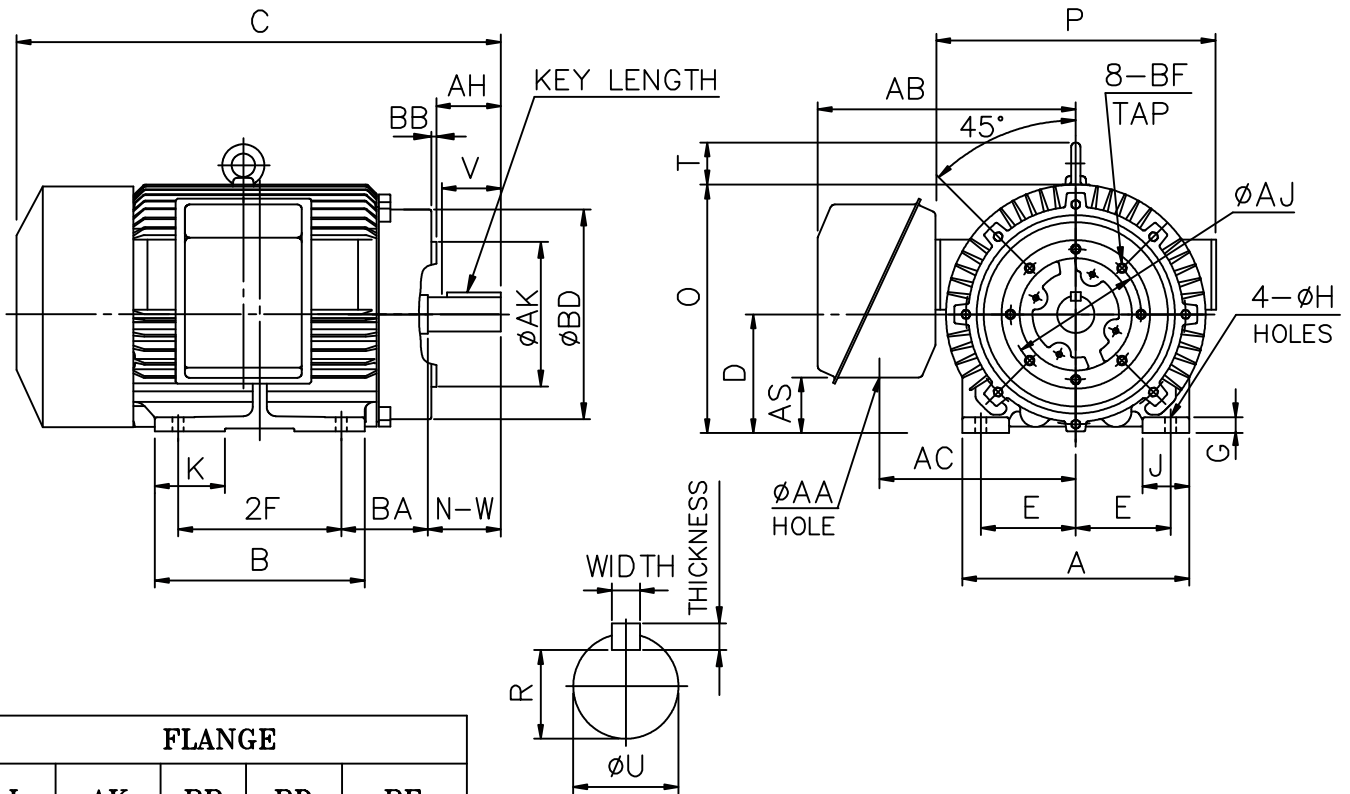
FILE NO:

CUSTOMER:

PO. NO:

ORDER NO:

OUTPUT	POLE	SYN. SPEED	VOLT.	FREQ	TIME RATING	MODEL	FRAME NO.
					CONT.	TEFC	404TC



FLANGE				
AJ	AK	BB	BD	BF
11.00	12.50	0.25	15.50	5/8-11

A	B	C	D	E	2F	G	H	J	K	O+T	P	AA	AB	AH
19.13	16.34	39.10	10.00	8.00	12.25	1.34	0.81	3.94	5.91	24.50	23.60	4.65	20.87	7.00

AC	AS	BA	KEY			KEYSEAT	SHAFT EXTENSION			BEARING NO.		APPROX WEIGHT
			WIDTH	THICKNESS	LENGTH		R	N-W	U	V	D.E	
16.53	4.53	6.62	0.75	0.75	5.65	2.450	7.25	2.875	7.00	6218	6313	1400 lb

NOTE: 1. TOLERANCE OF SHAFT END DIAMETER U: +0.000, -0.001

2. TOLERANCE OF SHAFT CENTER HEIGHT D: +0.00, -0.06

3. DIMENSION R TOLERANCE: +0.000, -0.015

4. DIMENSION AK TOLERANCE: +0.000, -0.005

5. DIMENSION V IS LENGTH OF STRAIGHT PART OF SHAFT.

6. F CLASS INSULATION.

初步圖面，僅供參考

CERTIFIED BY : \_\_\_\_\_ DATE : \_\_\_\_\_

DESIGNED	W. D. KUO	DWG. NO: AS-832491
CHECKED	L. J. LEE	3RD ANGLE PROJECTION
APPROVED	T. M. LIAO	DIMENSION IN inch

