

OUTLINE 3-PHASE INDUCTION MOTOR

TOTALLY ENCLOSED FAN
COOLED, SQUIRREL CAGE
ROTOR

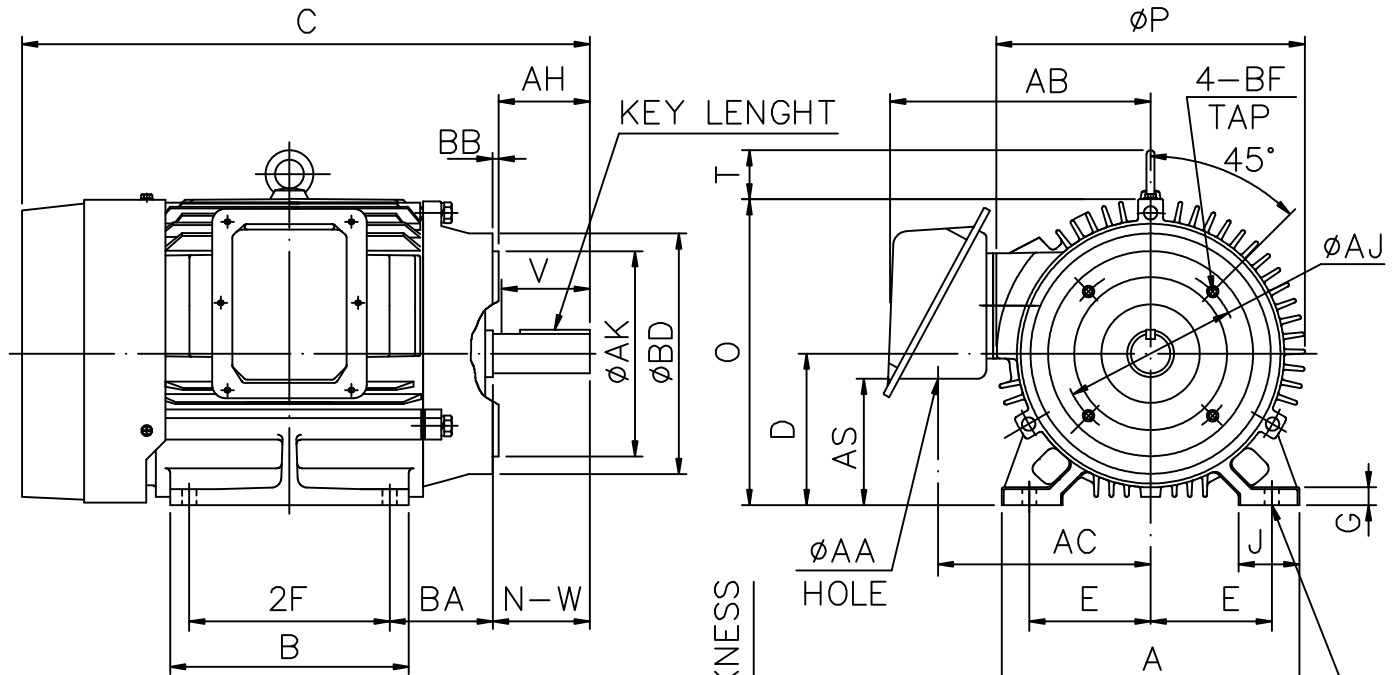
FILE NO:

CUSTOMER:

PO. NO:

ORDER NO:

OUTPUT	POLE	SYN. SPEED	VOLT.	FREQ	TIME RATING	MODEL	FRAME NO.
					CONT.	TEFC	256TC



FLANGE				
AJ	AK	BB	BD	BF
7.25	8.50	0.25	10.00	1/2-13

A	B	C	D	E	2F	G	H	J	O+T	P	AA	AB	AH
12.12	11.6	25.10	6.25	5.00	10.0	0.71	0.53	2.36	14.6	12.80	2.05	10.80	3.75

AC	AS	BA	KEY			KEYSEAT	SHAFT EXTENSION			BEARING NO.		APPROX WEIGHT
			WIDTH	THICKNESS	LENGTH		R	N-W	U	V	D.E	
8.82	4.72	4.25	0.375	0.375	2.91	1.416	4.0	1.625	3.90	6310ZZ	6208ZZ	310 lb

- NOTE:**
1. TOLERANCE OF SHAFT END DIAMETER U: +0.000, -0.001
 2. TOLERANCE OF SHAFT CENTER HEIGHT D: +0.000, -0.03
 3. DIMENSION R TOLERANCE: +0.000, -0.015
 4. DIMENSION AK TOLERANCE: +0.000, -0.003
 5. DIMENSION V IS LENGTH OF STRAIGHT PART OF SHAFT.
 6. F CLASS INSULATION.

初步圖面，僅供參考

CERTIFIED BY : _____		DATE : _____	
DESIGNED	W. D. KUO	DWG. NO:	AS-832565
CHECKED	L. J. LEE	3RD ANGLE PROJECTION	
APPROVED	T. M. LIAO	DIMENSION IN inch	

