

# EXTRA-MAX ALTERNATING CURRENT MOTORS

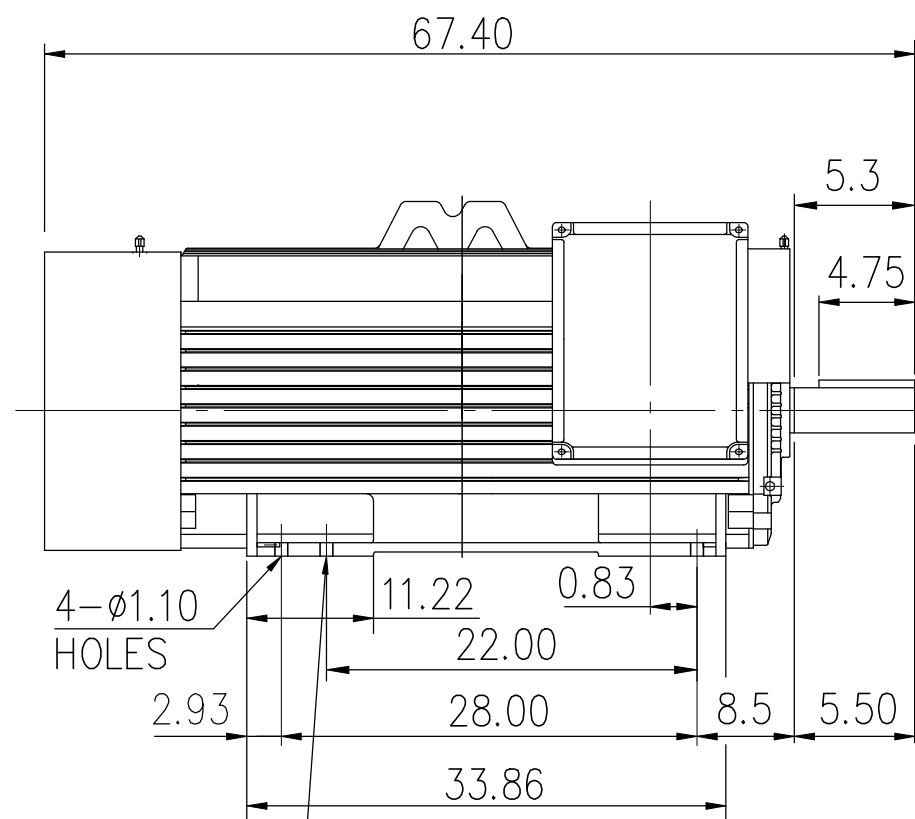
SQUIRREL-CAGE INDUCTION

ENCLOSURE: TOTALLY ENCLOSED

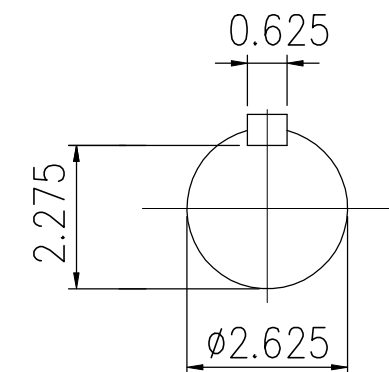
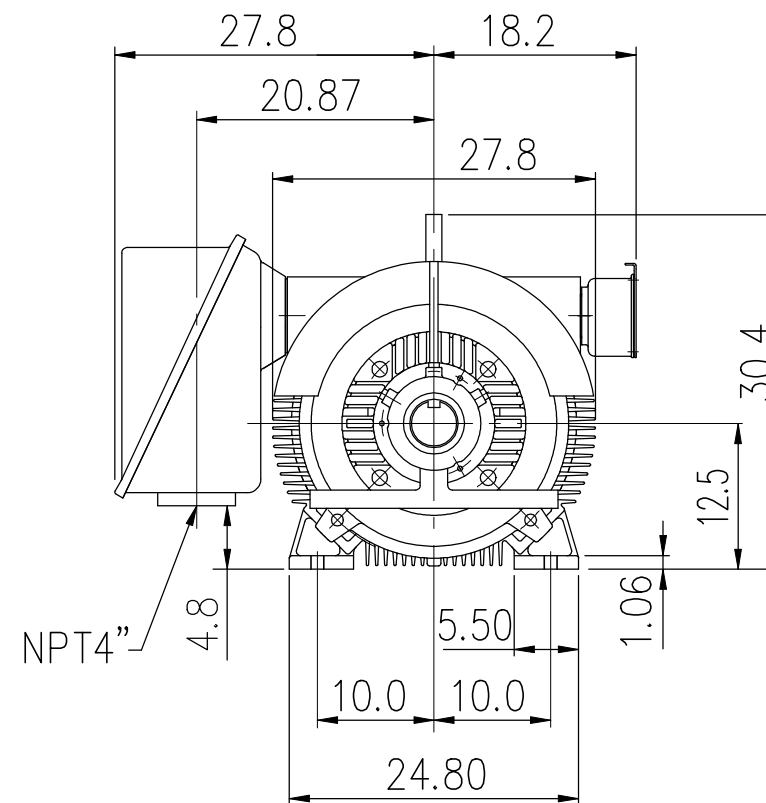
MOUNTING: FOOT

CAST IRON FRAME  
FRAME N5007/9S

COOLING: FAN COOLED



2 SPARE HOLES  
(NOT USED FOR GENERAL MOUNTING)



- (1) DIMENSIONS ARE IN INCHES.
- (2) APPROXIMATE WEIGHT = 350 HP, 2 P, - 4405 LBS.  
400 HP, 2 P, - 4405 LBS.
- (3) DRIVE END BEARING 6315C3  
OPPOSITE DRIVE END BEARING 6315C3

初步圖面，僅供參考

OUTPUT	POLE	SYN. SPEED	VOLT	FREQ.	CERTIFIED BY	DATE
					DR. BY	W. D. KUD
					CK. BY	L. J. LEE
					APP. BY	T. M. LIAD
					DATE	NOV. 27. 2008
DIMENSION SHEET					AS-000223	
					AS-000223	