

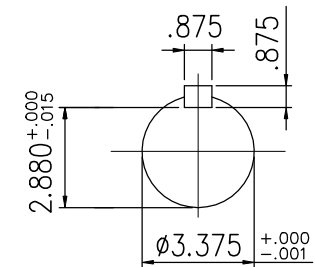
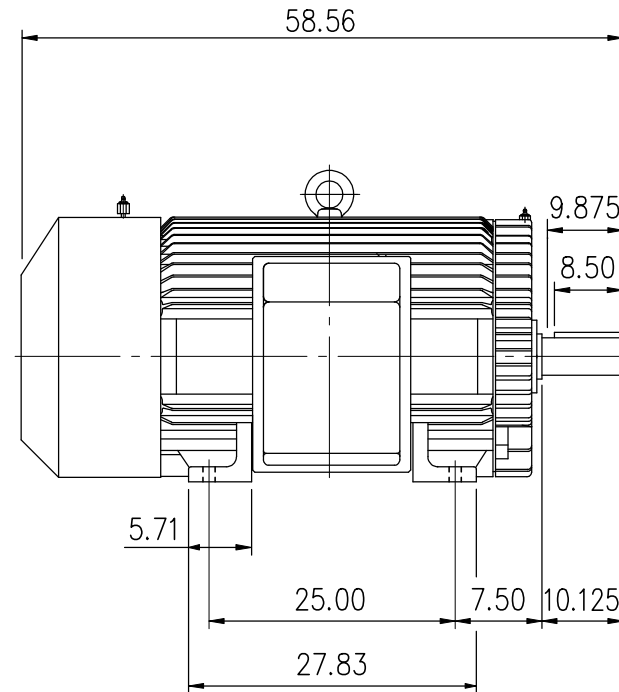
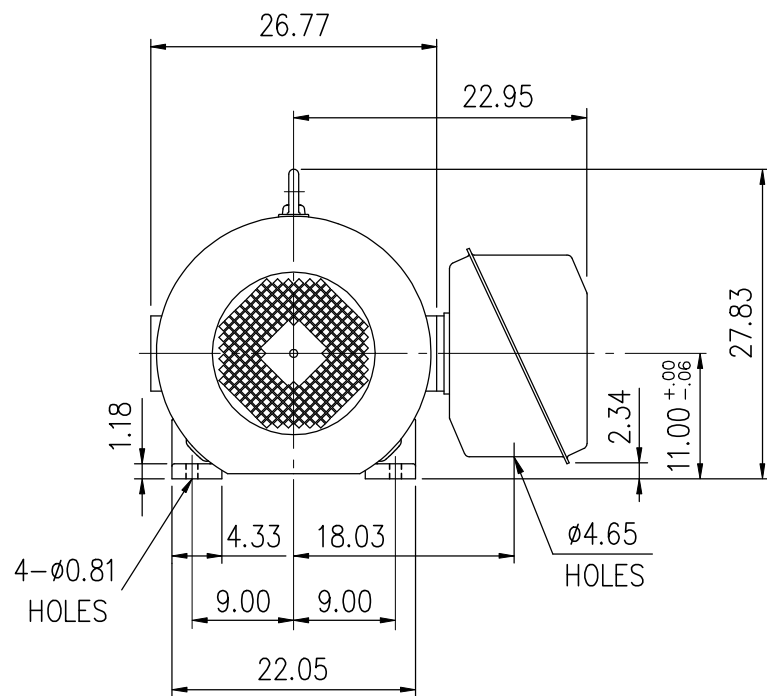
EXTRA-MAX ALTERNATING CURRENT MOTORS

SQUIRREL-CAGE INDUCTION

ENCLOSURE: TOTALLY ENCLOSED
MOUNTING: FOOT


CAST IRON FRAME
FRAME 449TZ

COOLING: FAN COOLED



- (1) DIMENSIONS ARE IN INCHES.
 (2) APPROXIMATE WEIGHT = 2974 LBS.
 (3) DRIVE END BEARING NU320
 OPPOSITE DRIVE END BEARING 6318
 (4) INTERNAL VOLUME OF CONDUIT BOX=982 CU, IN.

初步圖面，僅供參考

OUTPUT	POLE	SYN. SPEED	VOLT	FREQ.	CERTIFIED BY _____ DATE _____	
					DR. BY <u>W. D. KUD</u> CK. BY <u>L. J. LEE</u> APP. BY <u>C. L. WANG</u> DATE <u>AUG. 11. 2011</u>	
					DIMENSION SHEET	