

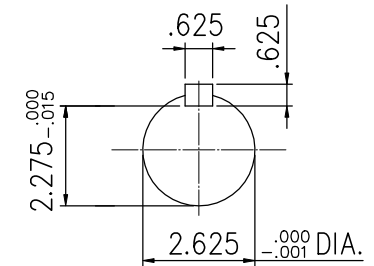
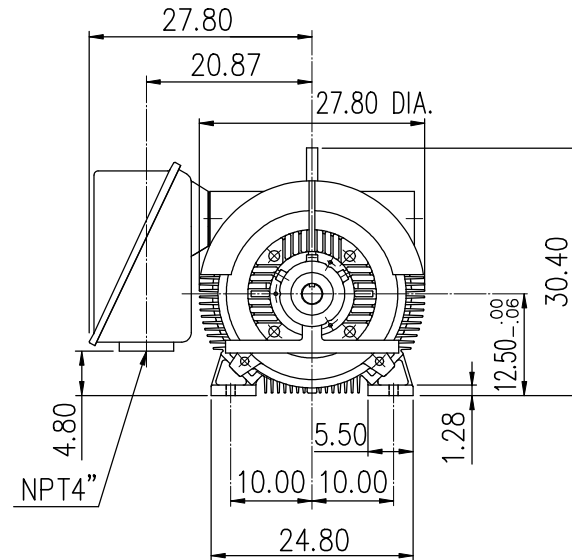
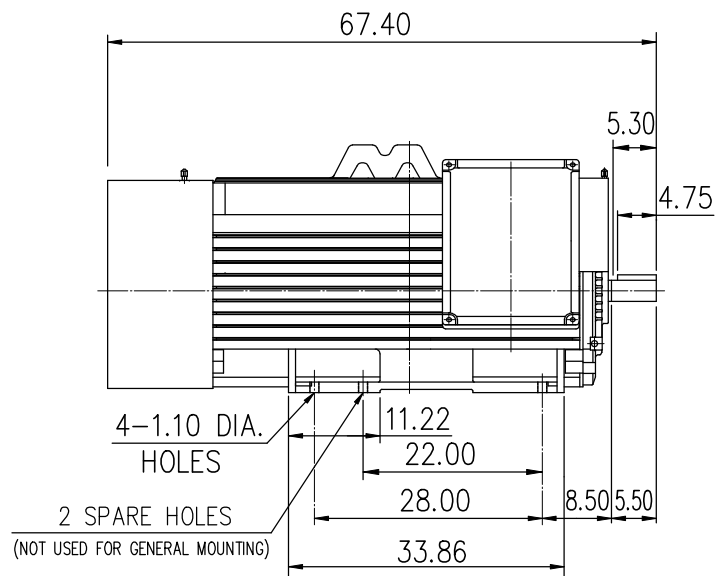
SUPER-MAX ALTERNATING CURRENT MOTORS

SQUIRREL-CAGE INDUCTION

ENCLOSURE: TOTALLY ENCLOSED
MOUNTING: FOOT

CAST IRON FRAME
FRAME N5007/9S

COOLING: FAN COOLED



初步圖面，僅供參考

- (1) DIMENSIONS ARE IN INCHES.
- (2) APPROXIMATE WEIGHT = 4405 LBS.
- (3) DRIVE END BEARING 6315C3
OPPOSITE DRIVE END BEARING 6315C3

OUTPUT	POLE	SYN. SPEED	VOLT	FREQ.	CERTIFIED BY _____ DATE _____	
					DR. BY	W. D. KUD
					CK. BY	L. J. LEE
					APP. BY	C. L. WANG
					DATE	AUG. 11. 2011
DIMENSION SHEET					AS-003135	