

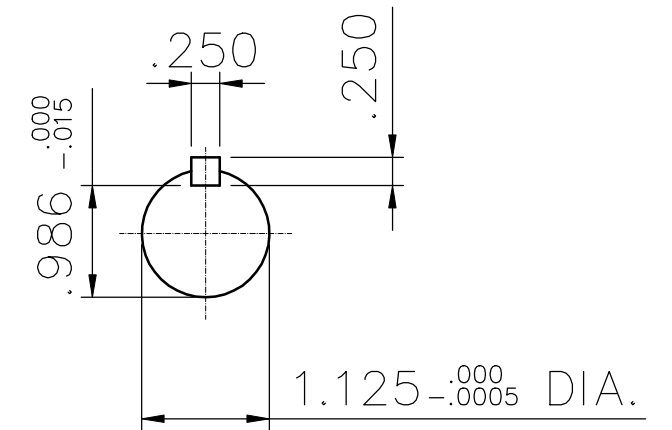
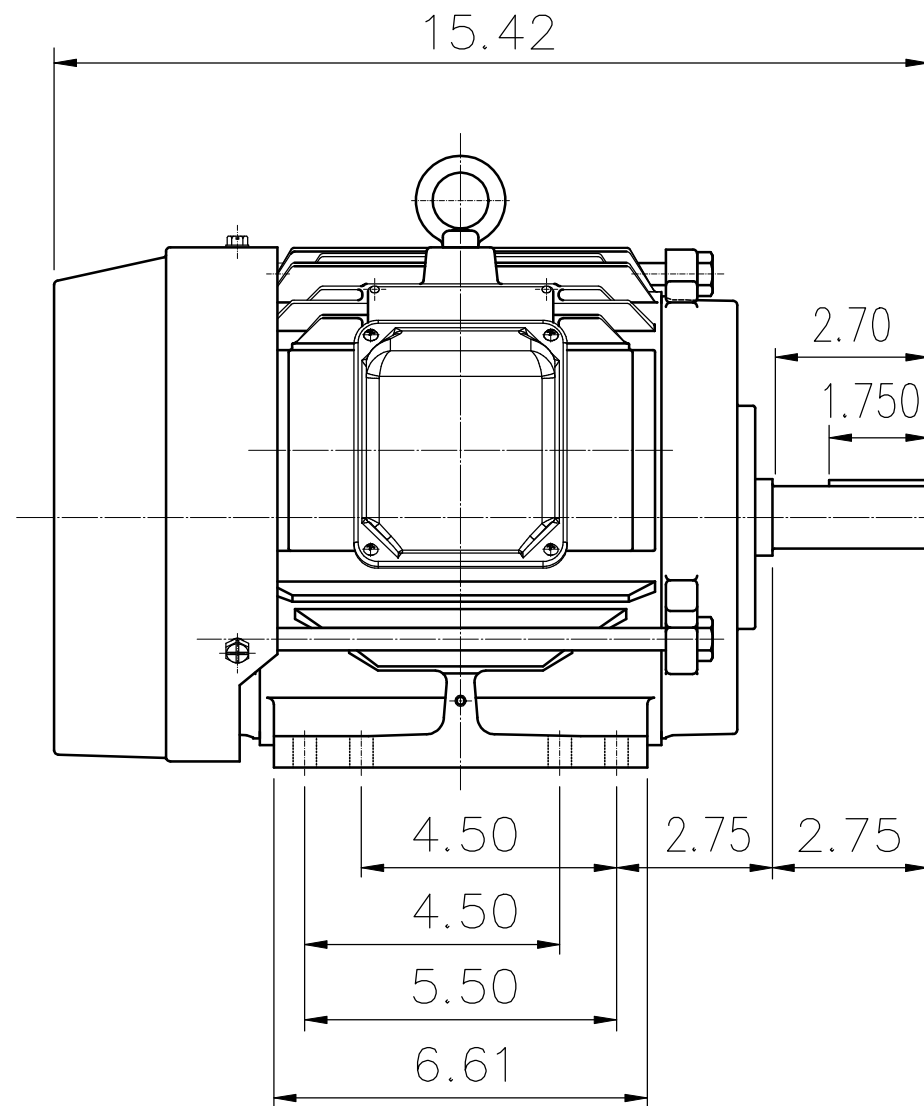
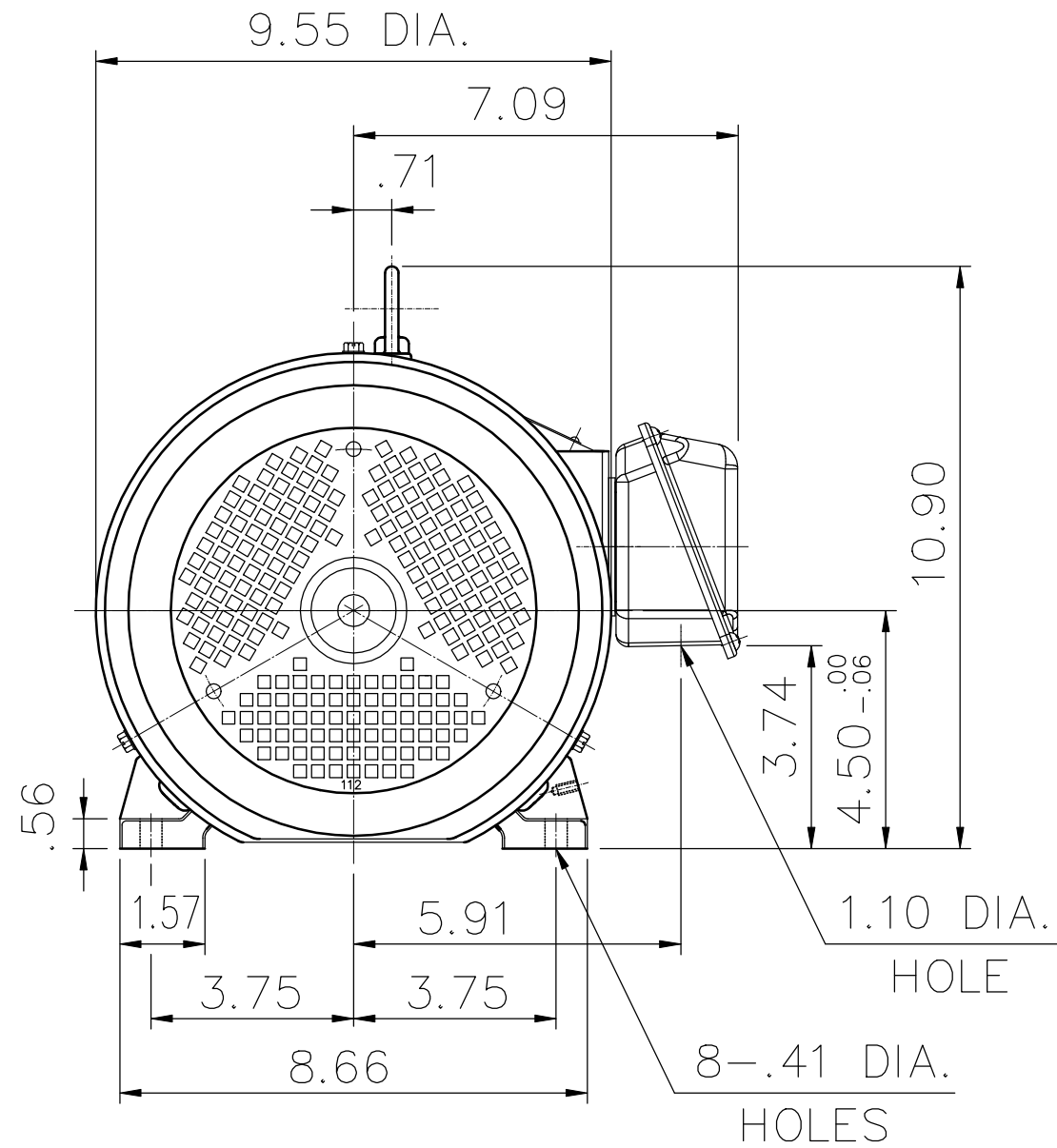
SUPER-MAX ALTERNATING CURRENT MOTORS

SQUIRREL-CAGE INDUCTION

ENCLOSURE: TOTALLY ENCLOSED
MOUNTING: FOOT

CAST IRON FRAME
FRAME 184T

COOLING: FAN COOLED



- (1) DIMENSIONS ARE IN INCHES
- (2) APPROXIMATE WEIGHT = 106 LBS.
- (3) DRIVE END BEARING 6207ZZ
OPPOSITE DRIVE END BEARING 6206ZZ
- (4) INTERNAL VOLUME OF CONDUIT BOX = 30.2 CU, IN.

OUTPUT	POLE	SYN. SPEED	VOLT	FREQ.	CERTIFIED BY _____	DATE _____
TATUNG					DR. BY <u>W. D. KUO</u> CK. BY <u>L. J. LEE</u> APP. BY <u>T. M. LIAO</u> DATE <u>NOV. 27. 2008</u>	DIMENSION SHEET AS-870390