

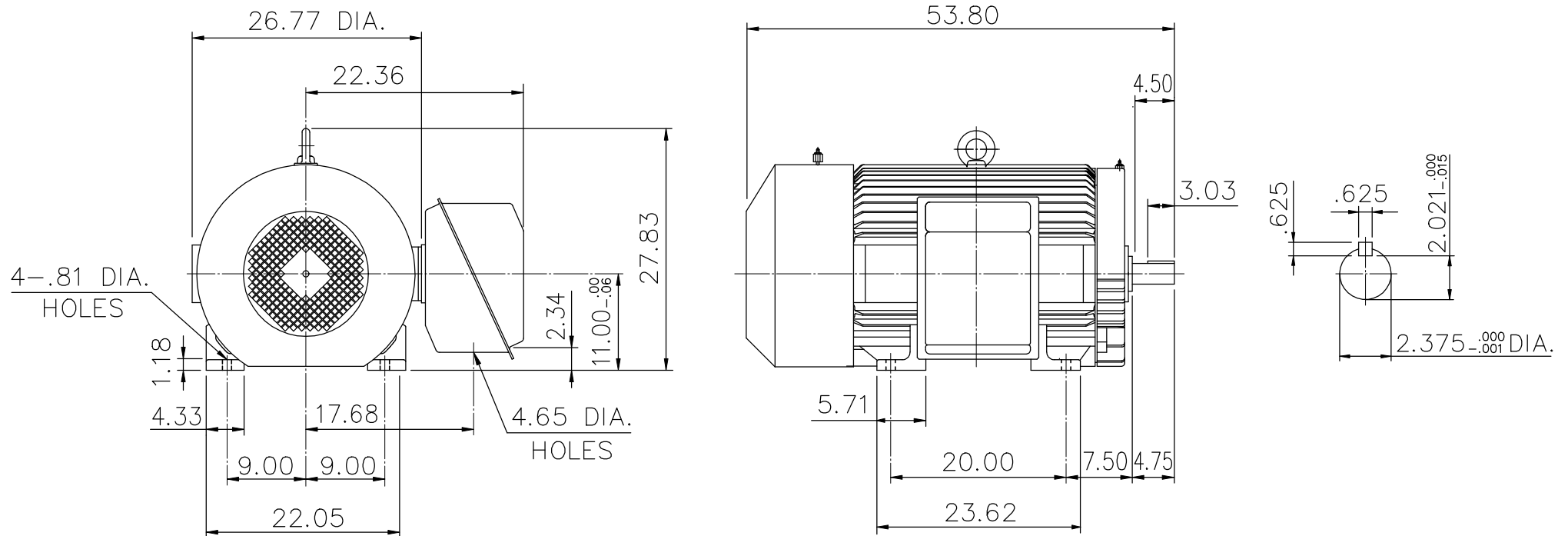
SUPER-MAX ALTERNATING CURRENT MOTORS

SQUIRREL-CAGE INDUCTION

ENCLOSURE: TOTALLY ENCLOSED
MOUNTING: FOOT


CAST IRON FRAME
FRAME 447TS

COOLING: FAN COOLED



- (1) DIMENSIONS ARE IN INCHES.
- (2) APPROXIMATE WEIGHT = 2550 LBS.
- (3) DRIVE END BEARING 6313C3
OPPOSITE DRIVE END BEARING 6313C3
- (4) INTERNAL VOLUME OF CONDUIT BOX= 1185 CU, IN.

初步圖面，僅供參考

| OUTPUT | POLE | SYN. SPEED | VOLT | FREQ. | CERTIFIED BY _____ DATE _____ | |
|--|------|------------|------|-------|--|--|
|  | | | | | DIMENSION SHEET AS-913833 | |
| | | | | | | |
| | | | | | APP. BY T. M. LIAD | |
| | | | | | DATE NOV. 27, 2008 | |