

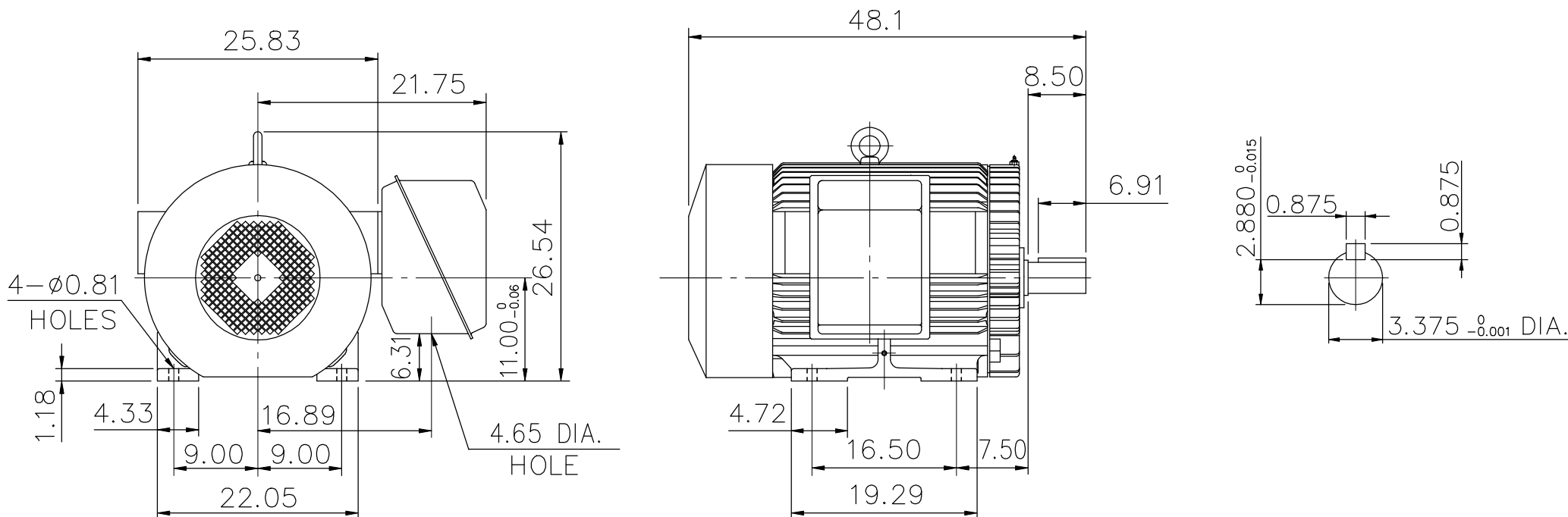
# SUPER-MAX ALTERNATING CURRENT MOTORS

SQUIRREL-CAGE INDUCTION

ENCLOSURE: TOTALLY ENCLOSED  
MOUNTING: FOOT


CAST IRON FRAME  
FRAME 445T

COOLING: FAN COOLED



- (1) DIMENSIONS ARE IN INCHES.
- (2) APPROXIMATE WEIGHT= 2046 LBS
- (3) INTERNAL VOLUME OF CONDUIT BOX= 1185 CU, IN.
- (4) DRIVE END BEARING 6320  
OPPOSITE DRIVE END BEARING 6315
- (5) ALL DATA SUBJECT TO CHANGE WITHOUT NOTICE
- (6) FOR CONSTRUCTION USE ONLY CERTIFIED DATA

初步圖面，僅供參考

OUTPUT	POLE	SYN. SPEED	VOLT	FREQ.	CERTIFIED BY _____ DATE _____	
					DR. BY <u>W. D. KUD</u> CK. BY <u>L. J. LEE</u> APP. BY <u>T. M. LIAD</u> DATE <u>NOV. 27, 2008</u>	
					DIMENSION SHEET	