

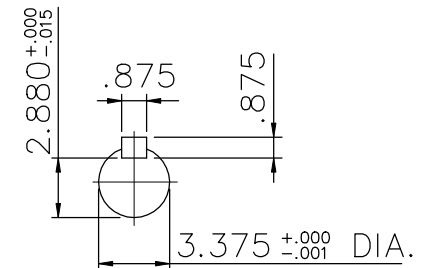
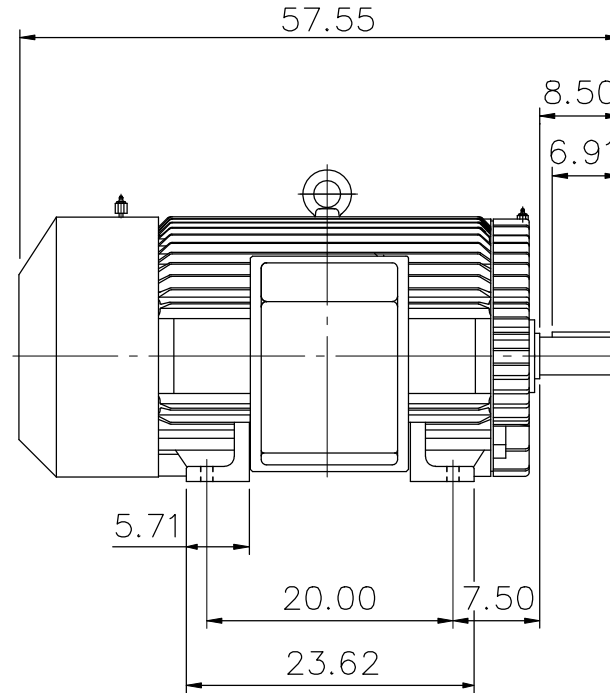
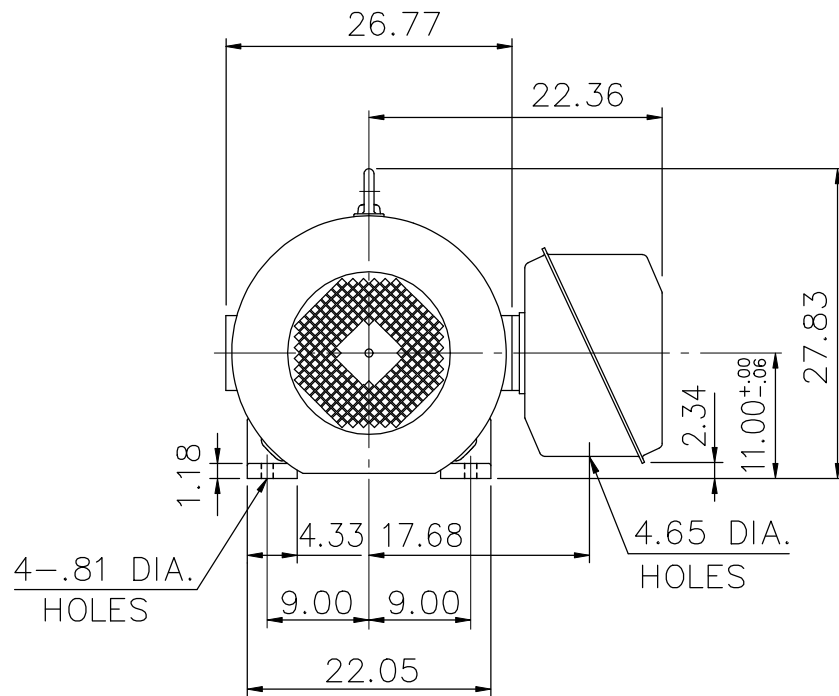
SUPER-MAX ALTERNATING CURRENT MOTORS

SQUIRREL-CAGE INDUCTION

ENCLOSURE: TOTALLY ENCLOSED
MOUNTING: FOOT

CAST IRON FRAME
FRAME 447T

COOLING: FAN COOLED



- (1) DIMENSIONS ARE IN INCHES.
- (2) APPROXIMATE WEIGHT = 150 HP, 6 P, - 2634 LBS.
200 HP, 4 P, - 2793 LBS.
125 HP, 8 P, - 2814 LBS.
- (3) DRIVE END BEARING 6320
OPPOSITE DRIVE END BEARING 6315
- (4) INTERNAL VOLUME OF CONDUIT BOX=982 CU, IN.

初步圖面，僅供參考

OUTPUT	POLE	SYN. SPEED	VOLT	FREQ.	CERTIFIED BY _____ DATE _____	
					DR. BY	W. D. KUD
					CK. BY	L. J. LEE
					APP. BY	T. M. LIAD
					DATE	NOV. 27, 2008

DIMENSION SHEET AS-974675