

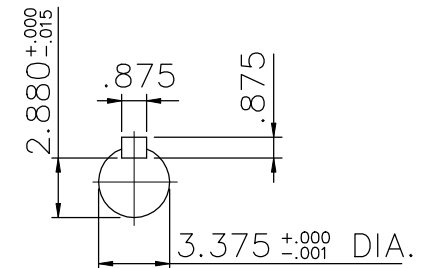
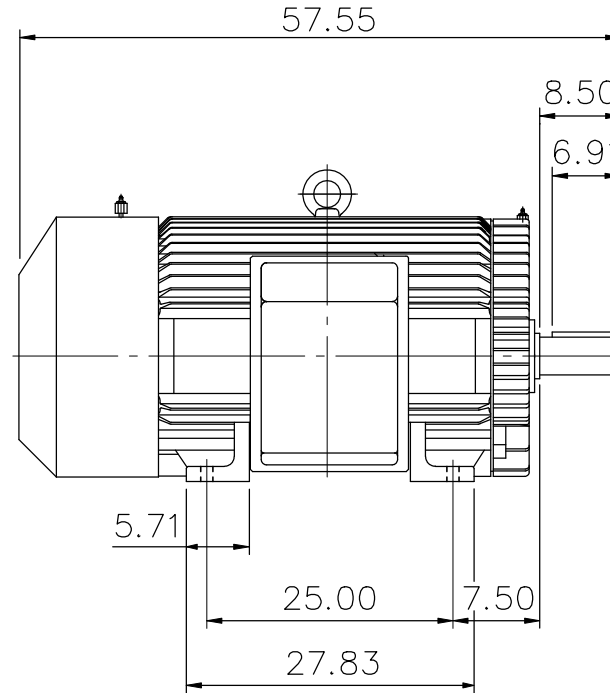
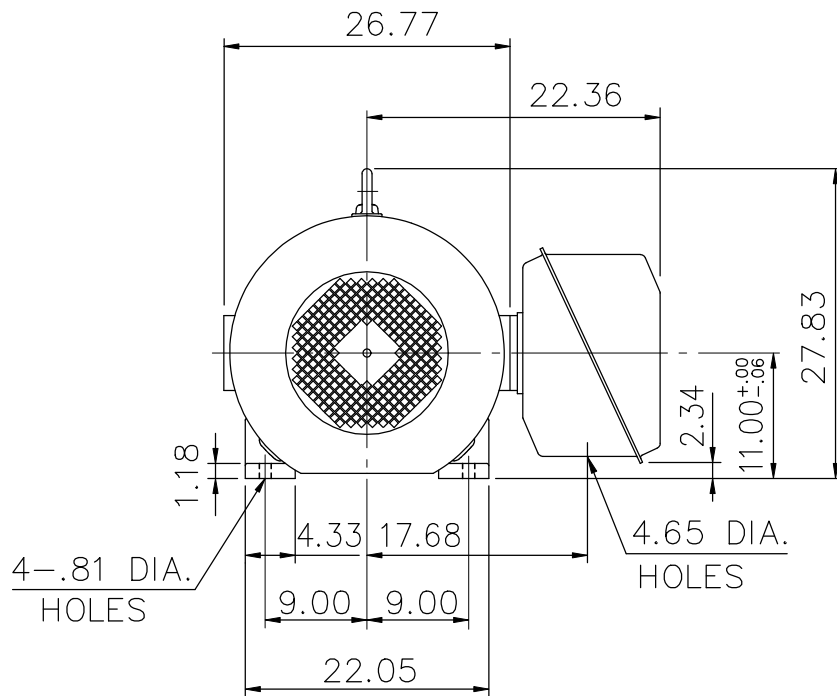
SUPER-MAX ALTERNATING CURRENT MOTORS

SQUIRREL-CAGE INDUCTION

ENCLOSURE: TOTALLY ENCLOSED
MOUNTING: FOOT

CAST IRON FRAME
FRAME 449T

COOLING: FAN COOLED



- (1) DIMENSIONS ARE IN INCHES.
 (2) APPROXIMATE WEIGHT = 250 HP, 4 P, - 2910 LBS.
 200 HP, 6 P, - 2974 LBS.
 300 HP, 4 P, - 3200 LBS.
 250 HP, 6 P, - 3330 LBS.
 (3) DRIVE END BEARING 6320
 OPPOSITE DRIVE END BEARING 6318
 (4) INTERNAL VOLUME OF CONDUIT BOX=982 CU, IN.

初步圖面，僅供參考

| OUTPUT | POLE | SYN. SPEED | VOLT | FREQ. | CERTIFIED BY _____ DATE _____ | |
|--------|------|------------|------|-------|-------------------------------|---------------|
| | | | | | DR. BY | W. D. KUD |
| | | | | | CK. BY | L. J. LEE |
| | | | | | APP. BY | T. M. LIAD |
| | | | | | DATE | NOV. 27, 2008 |

DIMENSION SHEET AS-974677